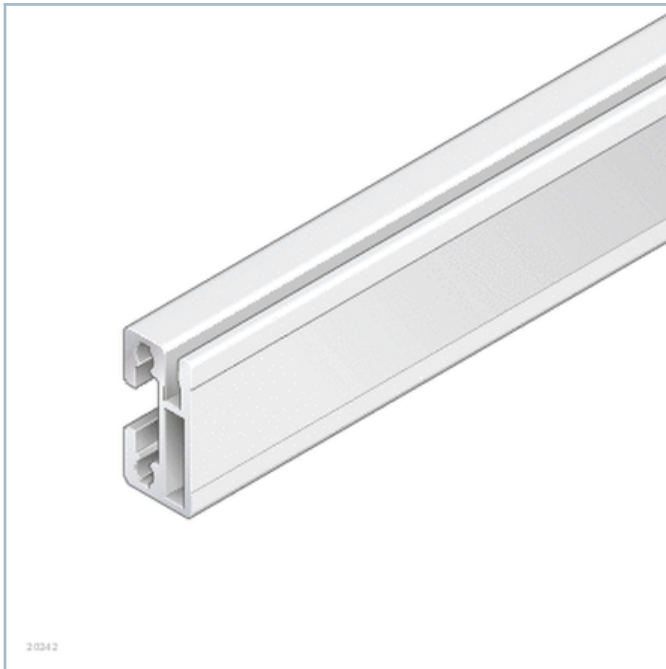


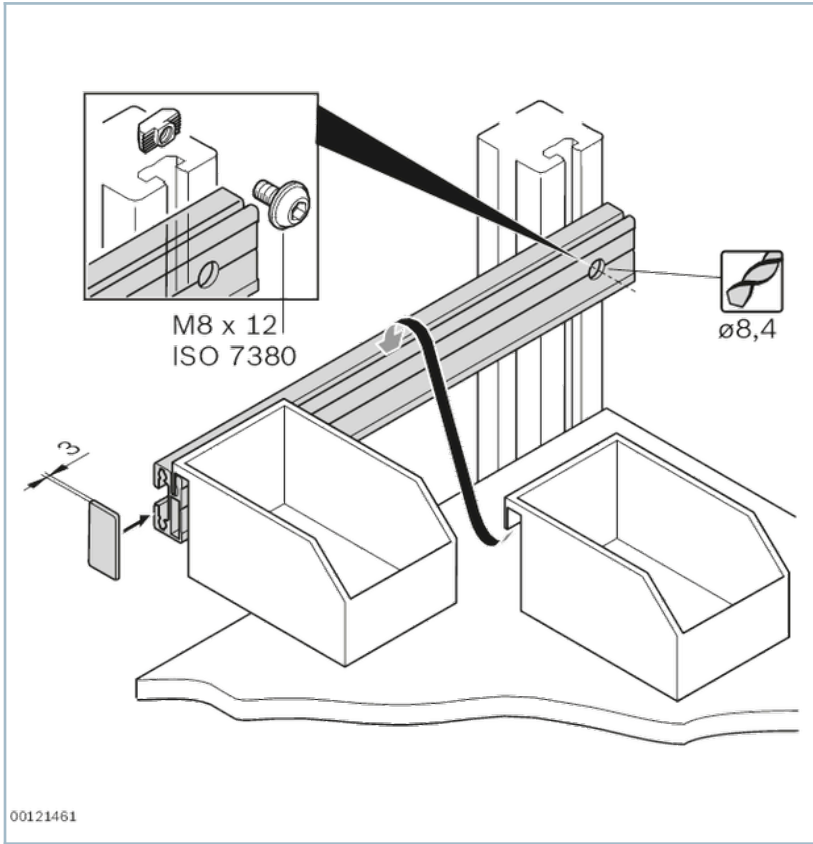
## Suspension profile



- For the fast, secure suspension of grab containers, grab ledges, grab trays, and tool holders
- Profile finishing:  
Through-hole for screwdriver
- Matching grab containers in the Manual Production Systems catalog (3 842 538 280)

# Product description

## Supply of grab containers

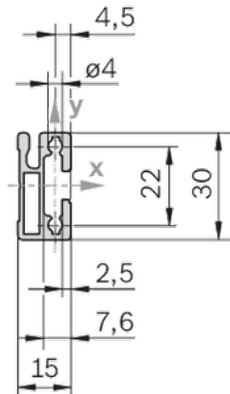


Introduction to strut profiles

## Dimensions

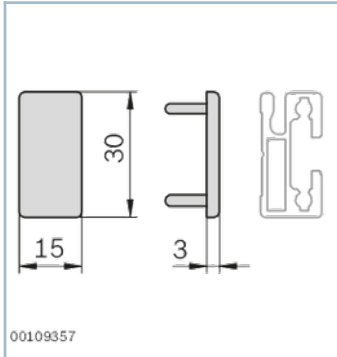
## Suspension profile

$A = 2,0 \text{ cm}^2$   
 $I_x = 2,0 \text{ cm}^4$   
 $I_y = 0,5 \text{ cm}^4$   
 $W_x = 2,7 \text{ cm}^3$   
 $W_y = 0,3 \text{ cm}^3$   
 $m = 0,6 \text{ kg/m}$



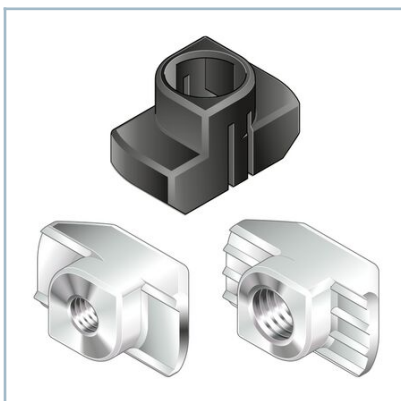
00109298

## Cap, suspension profile



00109357








## Accessories



T-nut

- Standard element for secure, conductive connections
- Stop for correct positioning in the profile slot
- Stainless steel T-nut, e.g. for outdoor or cleanroom applications

## Ordering codes

	L			ESD	No.
	mm				
Suspension profile L50-3000	50 ... 3000	1			3842993411
Suspension profile L3000	3000	10			3842537679
Suspension profile L50-3000 ESD	50 ... 3000	1			3842993063
Suspension profile L3000 ESD	3000	10			3842554157
Suspension profile L3000	3000		1		3842537680
Cover cap 15x30, signal gray			20		3842551582
Cover cap 15x30, black ESD			20		3842551583
Suspension profile L3000 ESD	3000		1		3842554156