

## Foundation bracket

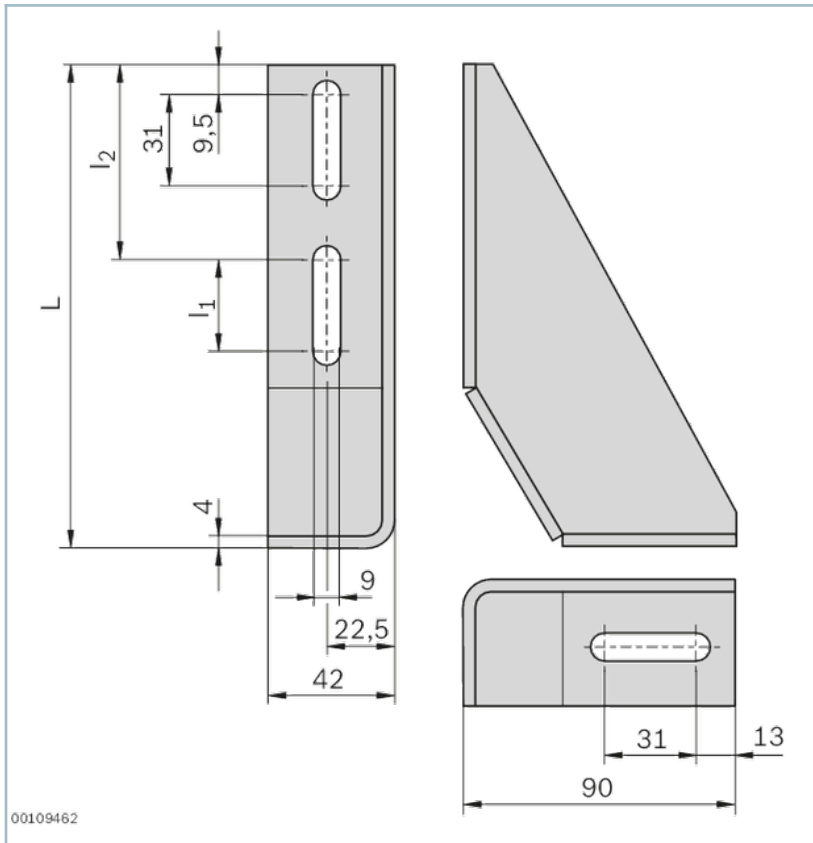


- Foundation bracket for securing frames to the floor
- The drilled hole for the floor dowel can be made without removing the foundation bracket

- Profile finishing: not required

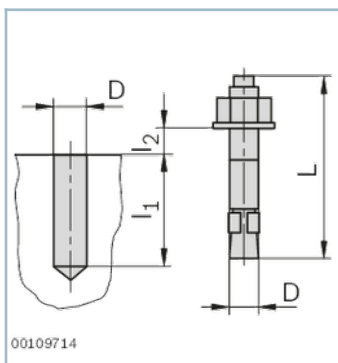
# Dimensions

## Foundation bracket



No.	L	$l_1$	$l_2$
	mm	mm	mm
3842146815	160	31	64.5
3842146848	210	91	54.5

## Floor dowel



No.	D	L	$l_1$	$l_{2max}$
	mm	mm	mm	mm
3842526560	8	80	65	15

## Accessories

### Required accessories

T-bolt M8x20, 10 mm slot

Flange Nut M8

Floor dowel

### Required accessories

T-bolt M8x20, 10 mm slot

Flange Nut M8


Floor dowel



Flange nut, T-bolt

- Secure, conductive connection
- Notch at bolt end as marker for identifying correct position
- Profile finishing: not required

## Ordering codes

	Groove	L	$l_1$	$l_2$	$l_{2max}$	D		No.
			mm	mm	mm			
L160 foundation bracket	10	160	31	64.5			20	3842146815
L80 floor dowel		80	65		15	8 mm	100	3842526560
L210 foundation bracket	10	210	91	54.5			20	3842146848