

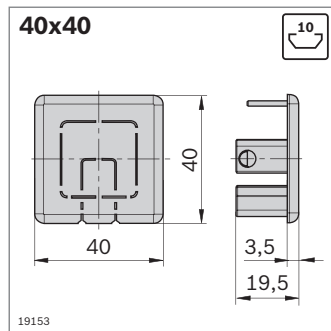
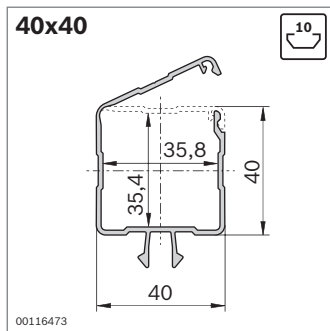
## Cable duct



- ▶ Cable duct for routing electrical lines
- ▶ Captive cover
- ▶ Easily accessible
- ▶ Houses several cables
- ▶ Simple, fast assembly by clipping into the 10 mm slot
- ▶ Cap for closing the cable duct with pre-punched notches for cable bushing

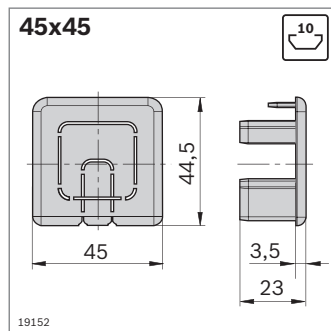
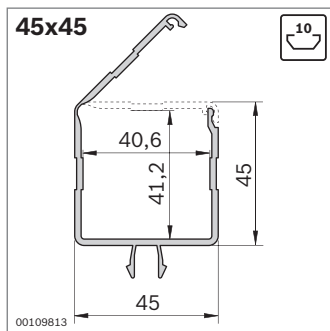
Required accessories:

Screw DIN 7981 3.9x9.5 for fastening the cap to the cable duct



	L (mm)		No.
<b>Cable duct 40x40</b>	2000	1	<b>3 842 532 363</b>
<b>40x40 cap</b>		10	<b>3 842 535 921</b>

Material: Cable duct: PVC, black  
Cap: PA, black



	L (mm)		No.
<b>Cable duct 45x45</b>	2000	1	<b>3 842 523 014</b>
<b>45x45 cap</b>		10	<b>3 842 535 676</b>

Material: Cable duct: PVC, black  
Cap: PA, black