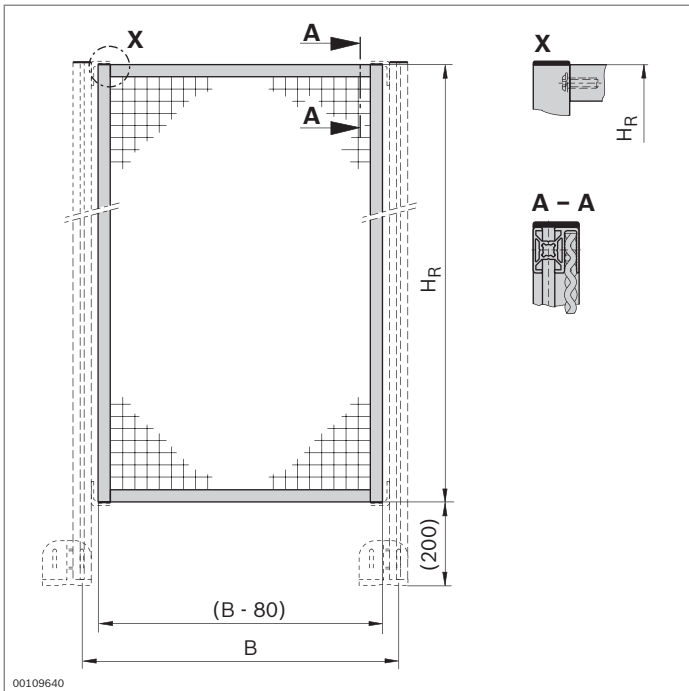


EcoSafe protective frame

- ▶ Protective frame made of protective grille profile 30x30 WG40 (p. 10-7) with woven wire grille 40x40x4
- ▶ Matching kits enable the construction of doors (system doors, sliding doors, double doors)
- ▶ Fully assembled on delivery
- ▶ Simple assembly on supports using suspension brackets. One-person operation
- ▶ Standard widths or individual dimensions
- ▶ Horizontally or vertically divided protective frames provide additional stability for large surfaces
- ▶ Color-coated woven wire grilles improve visual contrast in the protected area and facilitate recognition of access and exit routes



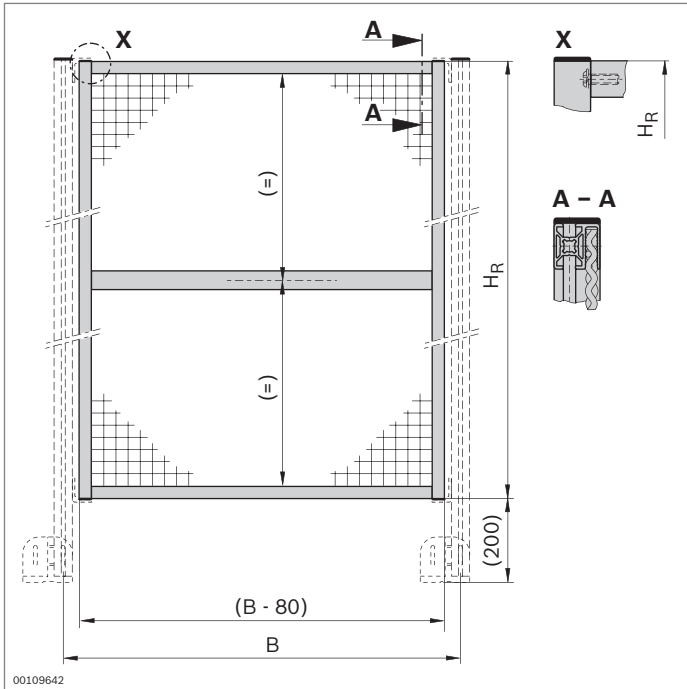
Protective frame	H _R (mm)	B (mm)	No.
	1800	500	3 842 522 466
		750	3 842 522 467
		1000	3 842 522 468
		1500	3 842 522 469
	250...2300	250...1500	3 842 994 742/H_R, B

Material: Frame: aluminum, anodized
Woven wire grille: steel, hot-galvanized

Protective frame	H _R (mm)	B (mm)	No.
Woven wire grille, color-coated	250...2300	250...1500	3 842 994 783/H_R, B, F

Material: Frame: aluminum, anodized
Woven wire grille: steel, hot-galvanized, painted

Woven wire grille color:
F = 1: black; RAL 9005 (e.g. for fence)
F = 2: yellow; RAL 1023 (e.g. for doors)
Special colors on request



00109642

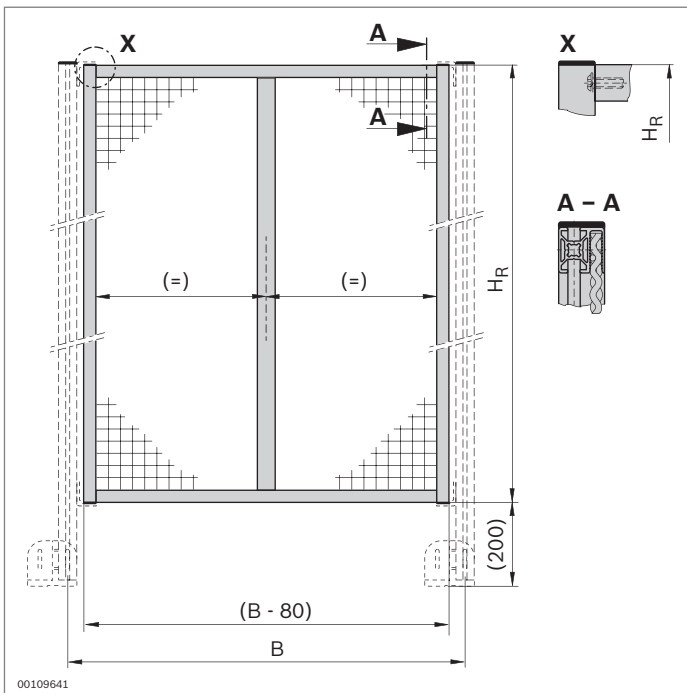
Protective frame, horizontal sections	H _R (mm)	B (mm)	No.
	1800	1000	3 842 523 167
	500...2300	250...2500	3 842 994 745/H_R, B

Material: Frame: aluminum, anodized
Woven wire grille: steel, hot-galvanized

Protective frame, horizontal sections	H _R (mm)	B (mm)	No.
Woven wire grille, color-coated	500...2300	250...2500	3 842 994 785/H_R, B, F

Material: Frame: aluminum, anodized
Woven wire grille: steel, hot-galvanized, painted

Woven wire grille color:
F = 1: black; RAL 9005 (e.g. for fence)
F = 2: yellow; RAL 1023 (e.g. for doors)
Special colors on request



00109641

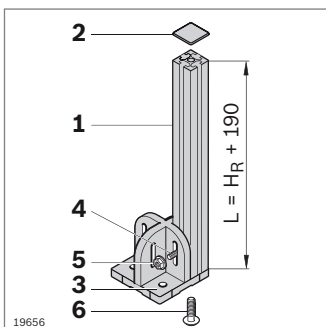
Protective fence, vertical sections	H _R (mm)	B (mm)	No.
	1800	2000	3 842 525 158
	250...2300	500...3000	3 842 994 744/H_R, B

Material: Frame: aluminum, anodized
Woven wire grille: steel, hot-galvanized

Protective fence, vertical sections	H _R (mm)	B (mm)	No.
Woven wire grille, color-coated	250...2300	500...3000	3 842 994 784/H_R, B, F

Material: Frame: aluminum, anodized
Woven wire grille: steel, hot-galvanized, painted

Woven wire grille color:
F = 1: black; RAL 9005 (e.g. for fence)
F = 2: yellow; RAL 1023 (e.g. for doors)
Special colors on request



19656

Individually construct the supports using MGE components

Components	No.
1 Profile 45x45L (p. 2-34)	3 842 992 425/L
2 Cap (p. 2-34)	3 842 502 674
3 Base plate 120x120 (p. 6-11)	3 842 527 553
4 T-bolt M8x30 (p. 3-6)	3 842 528 721
5 Flange nut M8 (p. 3-6)	3 842 345 081
6 Central bolt S12x30-T50 (p. 3-36)	3 842 530 236