

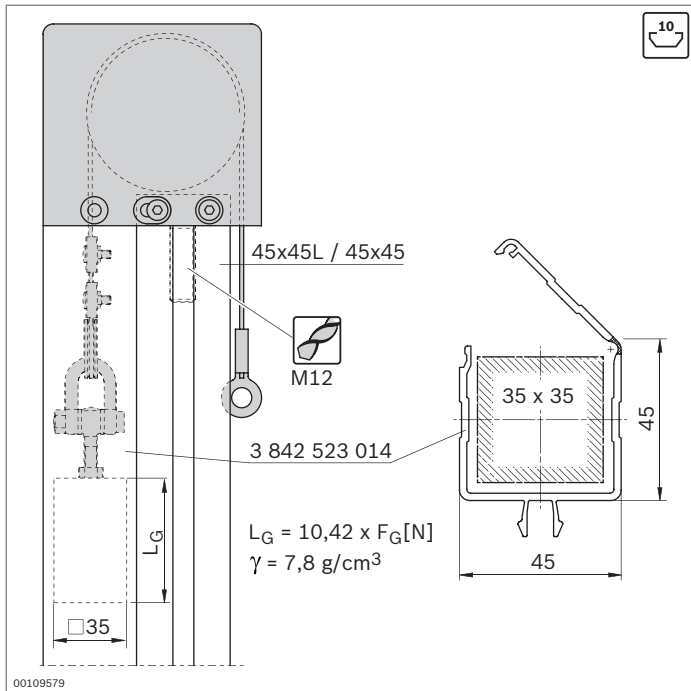
Counterbalance



- ▶ For lifting doors, consisting of a deflection pulley and control cable
- ▶ Individually adaptable counterweight; guide recommended in cable duct
- ▶ Adaptable cable length
- ▶ Service life: 50,000 actuations
- ▶ Profile finishing:
 - M12 for fastening the deflection pulley
- ▶ Equip lifting doors with a redundant fall arrestor in accordance with the Machinery Directive 2006/42/EC

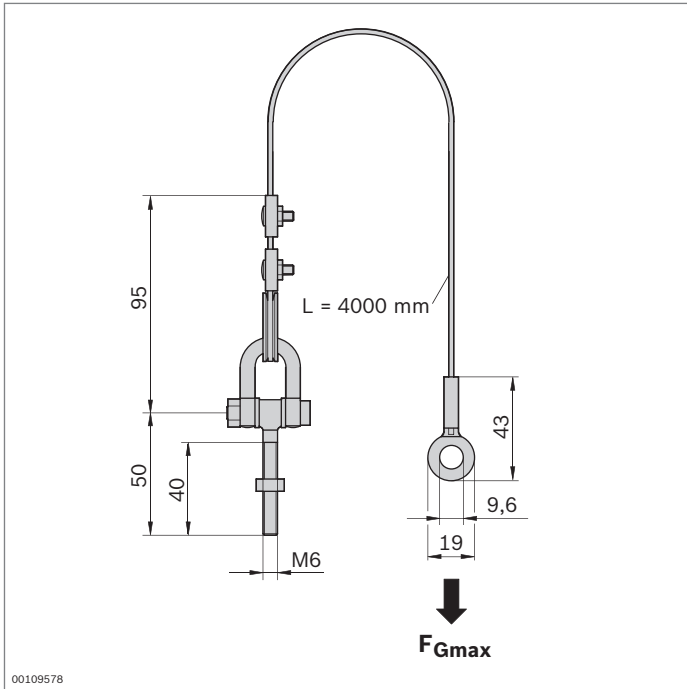
Required accessories:

Counterweight (square profile 35x35 mm)



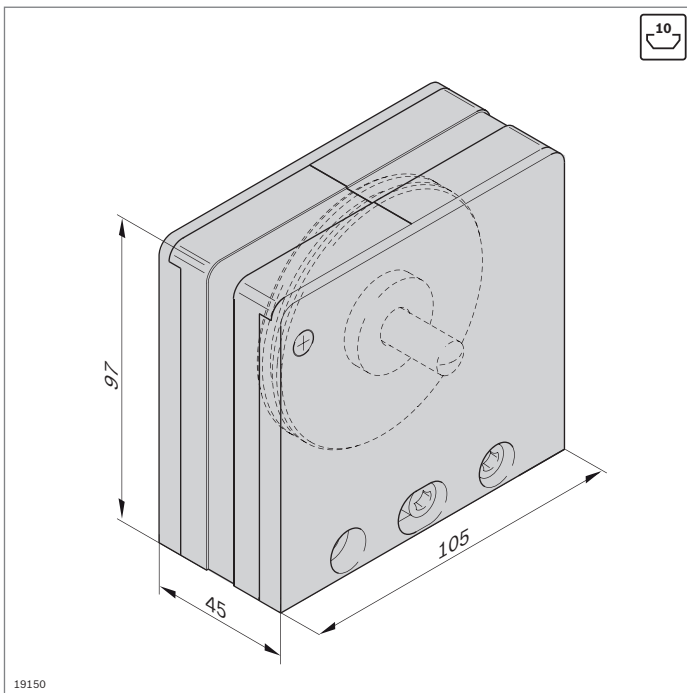
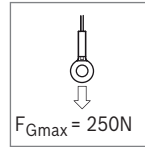
Optional accessories:

- ▶ Cable duct 45x45 (p. 11-2)
- ▶ Slider (p. 12-3/8-21)
- ▶ Safety catch (p. 9-4)



Control cable counterbalance	No.
	3 842 518 798

Material: Steel, stainless



Deflection pulley counterbalance	No.	FS
	3 842 518 797	FS1, FS2

Material: Housing: PA, black
Fastening material: steel, galvanized

Scope of delivery: Incl. fastening material (FS)

