

Strap-shaped handle

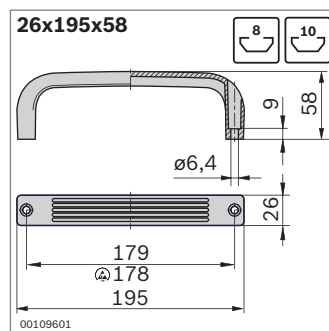
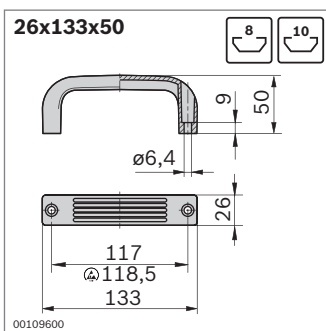
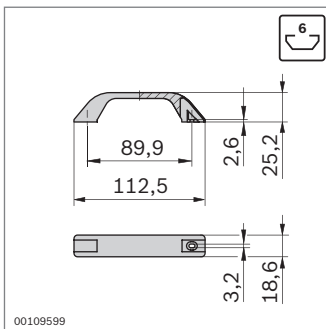


Strap-shaped handle

- ▶ Robust construction equipped to handle strong forces
- ▶ Fastening in the profile slot or on a woven wire grille with the clamping element
- ▶ Suitable for use in ESD-protected environments

Optional accessories:

- ▶ Clamping element for mounting to a woven wire grille (p. 10-17)
- ▶ T-nut (p. 3-4)



Strap-shaped handle	ESD	No.
	10	3 842 518 738

Material: PE, black

Strap-shaped handle	ESD	No.
26x133x50	10	3 842 525 480
	10	3 842 525 481
26x195x58	10	3 842 525 766
	10	3 842 525 767

Material: PA, black