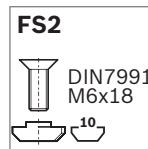
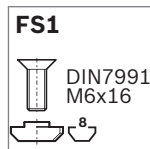
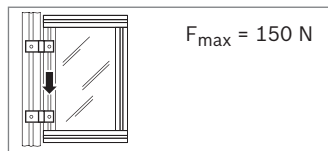
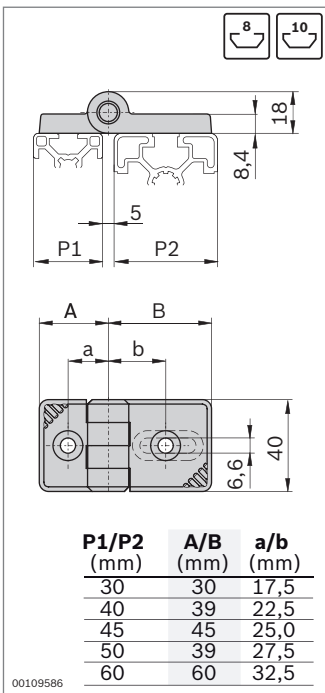
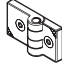


### Hinge, plastic



- ▶ Plastic hinge for profiles with 8 mm or 10 mm slot
- ▶ Assembly possible on solid surface elements
- ▶ Centering bolts for easy assembly and as a anti-torsion element



| Hinge, plastic   | P1 (mm) | P2 (mm) | No. | FS                                |
|--|---------|---------|-----|-----------------------------------|
|  | 30      | 30      | 2   | <b>3 842 544 500</b> 2xFS1        |
|  | 30      | 40/50   | 2   | <b>3 842 544 501</b> 1xFS1, 1xFS2 |
|  | 30      | 45      | 2   | <b>3 842 544 502</b> 1xFS1, 1xFS2 |
|  | 30      | 60      | 2   | <b>3 842 544 503</b> 1xFS1, 1xFS2 |
|  | 40/50   | 40/50   | 2   | <b>3 842 544 504</b> 2xFS2        |
|  | 45      | 45      | 2   | <b>3 842 544 505</b> 2xFS2        |
|  | 45      | 60      | 2   | <b>3 842 544 506</b> 2xFS2        |
|  | 60      | 60      | 2   | <b>3 842 544 507</b> 2xFS2        |

Material: PA, black  
 Hingepin: steel, galvanized  
 Fastening material: steel, galvanized, chromated transparent

Scope of delivery: Incl. fastening material (FS)