

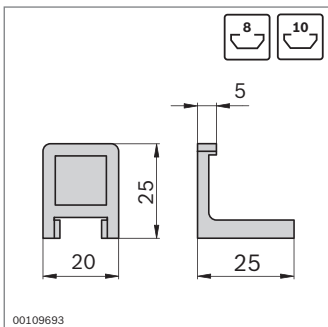
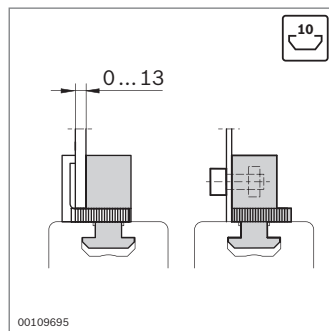
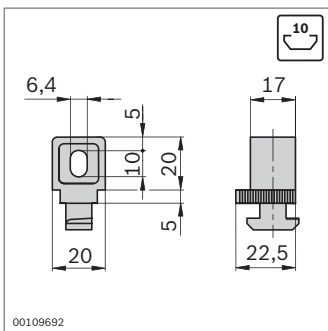
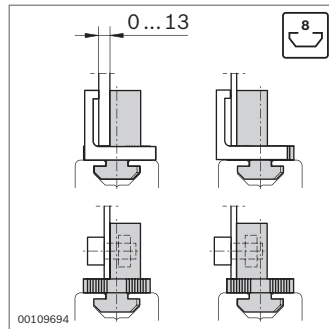
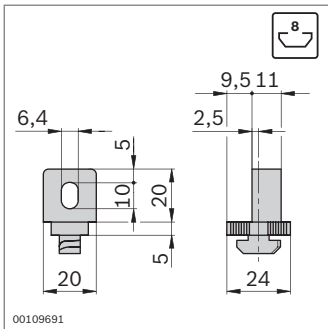
### Variofix block



- ▶ For surface elements up to 13 mm thick
- ▶ For subsequent installation in closed frame constructions
- ▶ Asymmetrical form enables fastening of surface elements in two different positions
- ▶ Clamping via snap-in clips or screw fitting with square nut M6 (included in scope of delivery) and screw
- ▶ Retainer ring for connecting the screw to the surface element (Machinery Directive 2006/42/EC)

Accessories:

- ▶ Variofix remover (p. 14-7)
- ▶ Screw for fitting with square nut



Variofix block	Slot	No.
	8	10 3 842 535 696
Material:	PA, black Square nut: steel, galvanized	
Scope of delivery:	Incl. square nut	

Variofix block	Slot	No.
	10	10 3 842 529 239
Material:	PA, black Square nut: steel, galvanized	
Scope of delivery:	Incl. square nut M6, retainer ring M6	

Snap-in clip	No.
	10 3 842 184 738
Material:	PA, colorless