

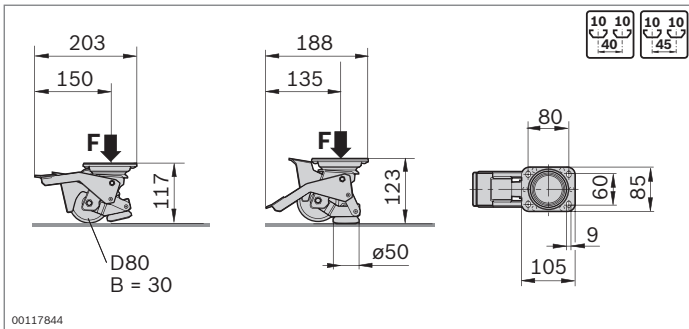
Lifting wheel



- ▶ Steerable lifting wheel
- ▶ The wheel turns into a stable base simply by engaging the stop lever
- ▶ Screw-on plate for mounting the lifting wheel

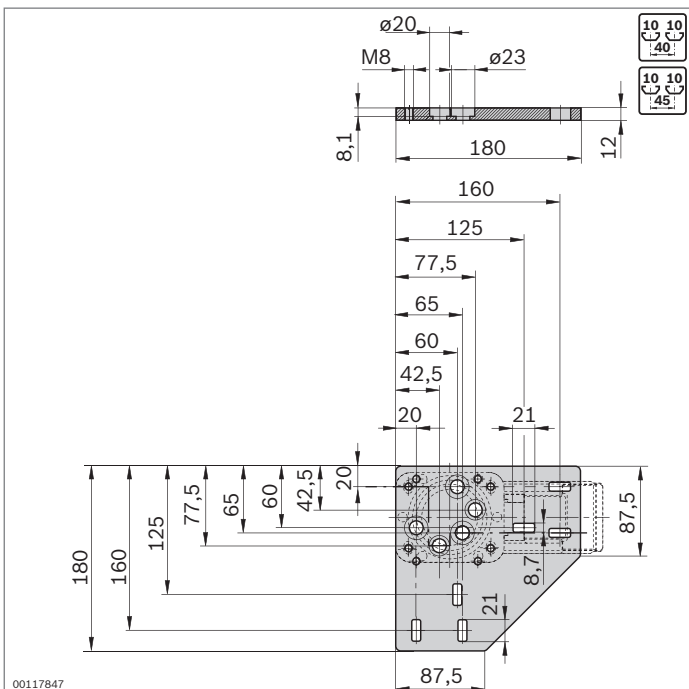
Required accessories:

- ▶ Screw M8x20 (ISO 4762), washer A8.4 (DIN 125), locking washer 8 FSt for attaching to the screw-on plate
- ▶ T-bolt, flange nut, central bolt M12 or S12 for fastening the screw-on plate to the profile frame



Lifting wheel	F (N)	No.
	2000	3 842 536 578

Material: Wheel: PUR
Housing: steel, galvanized
Base plate: PA, black with rubber insert



Screw-on plate	No.
	4 3 842 536 902

Material: Steel, galvanized