




Roller



- ▶ Four versions for a wide range of applications
- ▶ Rollers with excellent running properties
- ▶ Available as a caster wheel with lock, caster, and trestle wheel

 Especially gentle on floors

 Resistant to oil, suitable for workshop floors

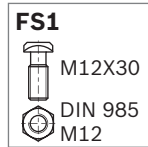
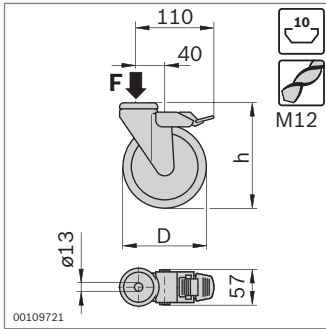
 Suitable for ESD-sensitive areas.
Conductive material version in accordance with
DIN EN 61340-5-1

Clean Room Suitable for use in cleanrooms.
Conductive material version in accordance with
DIN EN 61340-5-1; conduction resistance
 10^3 to $10^8 \Omega$

- ▶ Mounting of all rollers in the profile slot or central hole (accessories required)
- ▶ Profile finishing: thread cutting M12 for assembly in central hole

Required accessories:

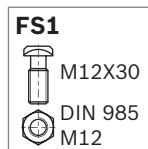
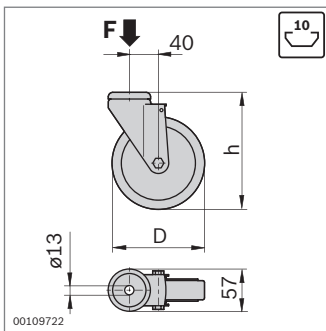
- ▶ Screw M12x40 (ISO 4762) for mounting in central hole (\cup 35 Nm)
- ▶ Bearing ring for use of a cap with hole (p. 6-15)



► Castor wheel with lock: locking prevents rolling and turning of the wheel

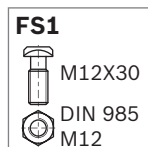
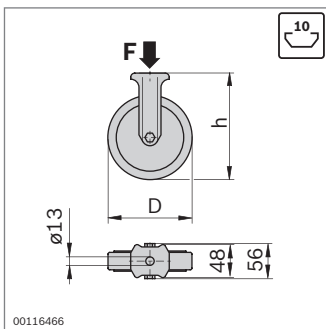
Caster wheel with lock	F (N)	D (mm)	h (mm)	ESD	No.	FS
	900	80	108		3 842 541 226	FS1
	1100	125	158		3 842 541 228	FS1
	1100	125	158		3 842 515 367	FS1
	900	80	108		3 842 541 230	FS1
	1100	125	158		3 842 541 232	FS1
		1000	125	158		3 842 524 499

- Material:
- Thermoplastic rubber wheel, rim: PA
 - Reinforced PA
 - Thermoplastic rubber, conductive $10^6 \Omega$
 - Gray PU; housing: steel, chrome-plated



Caster wheel	F (N)	D (mm)	h (mm)	ESD	No.	FS
	900	80	108		3 842 541 234	FS1
	1100	125	158		3 842 541 236	FS1
	1100	125	158		3 842 515 366	FS1
	900	80	108		3 842 541 238	FS1
	1100	125	158		3 842 541 240	FS1
		1000	125	158		3 842 524 500

- Material:
- Thermoplastic rubber wheel, rim: PA
 - Reinforced PA
 - Thermoplastic rubber, conductive $10^6 \Omega$
 - Gray PU; housing: steel, chrome-plated



Trestle wheel	F (N)	D (mm)	h (mm)	ESD	No.	FS
	900	80	108		3 842 541 242	FS1
	1100	125	158		3 842 541 244	FS1

- Material: Thermoplastic rubber, conductive $10^6 \Omega$