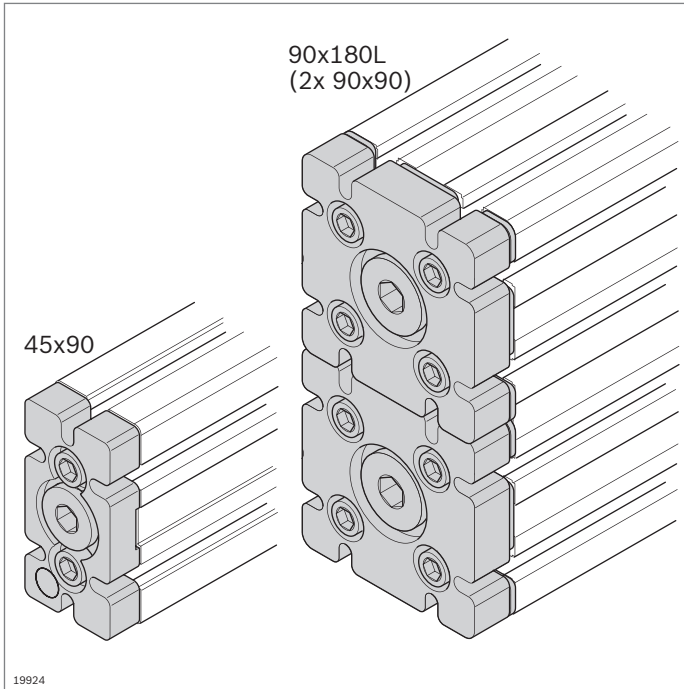


Air-supply elements

- ▶ Rexroth **strut profiles** can be used as compressed-air lines and reservoirs using the profile hollow chambers or central bores
- ▶ **Flanged plate** for end closing of profiles (p. 5-3)
- ▶ Compressed-air introduction or removal at the flanged plate, **connection piece**, or **connection screw fitting** (p. 5-4)
- ▶ Air-tight profile connections with **longitudinal end connectors or T-connectors** (p. 5-5, 5-6)
- ▶ The use of heavy-duty profiles is preferable for increased leaktightness demands (e.g. underwater applications)

The complete range of Rexroth pneumatic products can be found at www.boschrexroth.com/pneumatics.



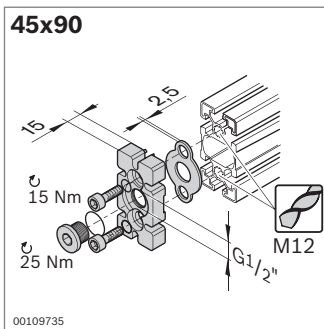


Flanged plate



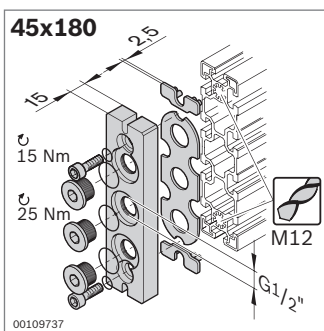
- ▶ For sealing the ends of hollow chambers to convert profiles into compressed-air lines
- ▶ For compressed-air introduction or removal when screw plugs are replaced by pneumatic screw fittings
- ▶ Profile finishing: thread cutting M12 in the central bores
- ▶ For a maximum pressure (p_{\max}) of 8 bar

5



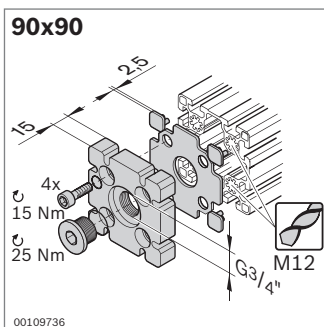
FS1

DIN 7984
M12x30



FS2

DIN 7984
M12x20



FS1

DIN 7984
M12x30

Flanged plate	No.	FS
45x90	3 842 523 097	2xFS1

Material: Flanged plate: diecast aluminum
Seal: NBR
Fastening material: steel, galvanized, chromated transparent

Scope of delivery: Incl. fastening material (FS), screw plug, seals

Flanged plate	No.	FS
45x180	2 3 842 535 721	2xFS2

Material: Flanged plate: aluminum
Seal: NBR
Fastening material: steel, galvanized, chromated transparent

Scope of delivery: Incl. fastening material (FS), 2x spacer, 3x screw plug, seals

Flanged plate	No.	FS
90x90	3 842 523 098	4xFS1

Material: Flanged plate: diecast aluminum
Seal: NBR
Fastening material: steel, galvanized, chromated transparent

Scope of delivery: Incl. fastening material (FS), 4x spacer, screw plug, seals

Note: Only suitable for light profiles 90x90L and 90x180L.