

Manual links

EcoFlow: curved sections (kit)



Assembly kit for easy mounting of a curved section on a corner table top.
For roller length EL [mm] = 325, 425, 525

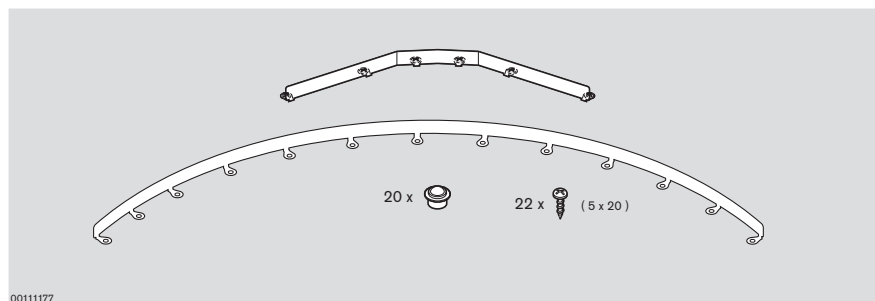
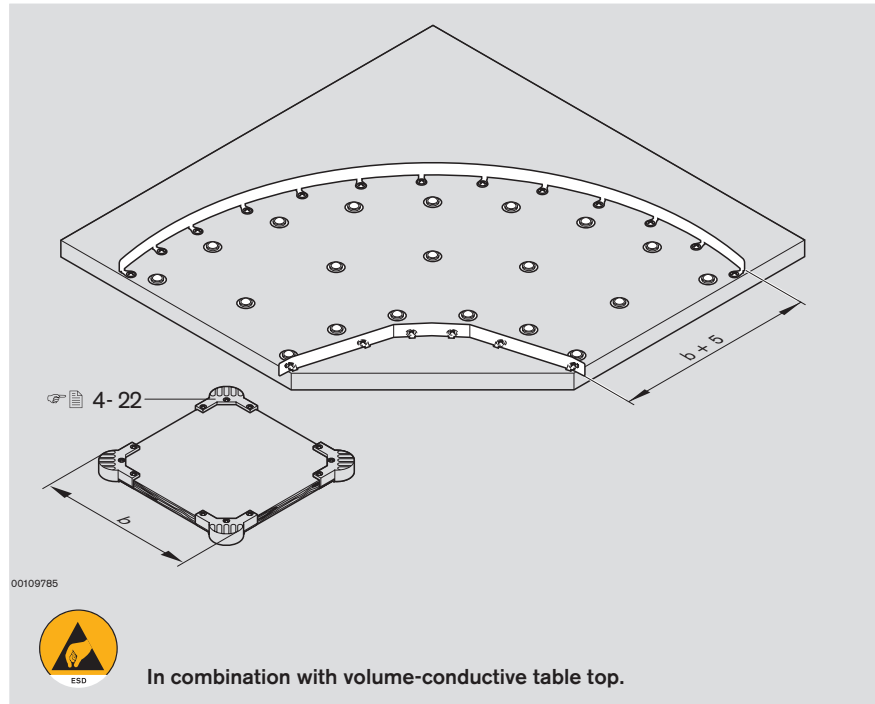
Scope of delivery:

- Inner and outer guide with fastening screws
- 20 ball rollers
- Drilling template to aid with assembly

Components required for constructing a curve:

- Curved section assembly kit
- Corner table top (☞ 4-15)

Curve belt material: stainless steel



EcoFlow curved section (kit)

Material no.

3 842 525 756