

Electric case lifter



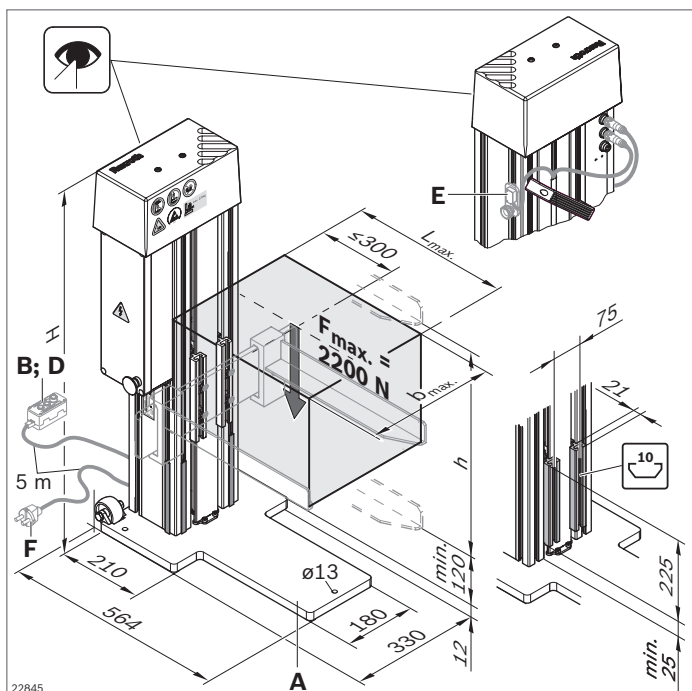
- ▶ Ergonomic parts supply at the workstation
- ▶ Operating mode:
 - Manual: Lifting and lowering through hand switch actuation. Suitable for use with Basic and Comfort hand switches
 - Automatic: Automatic lifting and lowering. Suitable for use with Comfort hand switches in conjunction with Comfort sensor unit (retrofit possible)
- ▶ Low overall height allows e.g. for installation under transfer systems
- ▶ Rollers for semi-mobile use at various workstations
- ▶ ESD version for use in ESD-sensitive areas
- ▶ The 10 mm slot enables simple mounting of components from the Basic Mechanic Elements modular system
- ▶ Easy start-up without electrician; connection via mains cable (☞ 145) or connection cable (☞ 45)

Required accessories: Basic hand switch or Comfort hand switch + Comfort sensor unit; mains cable

Optional accessories: attachment plate, forks, suspension strap ☞ 146, 147

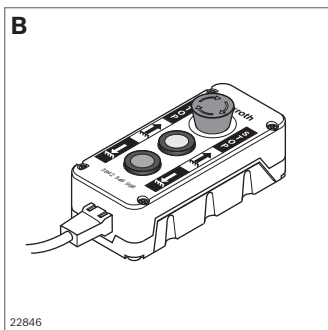
Technical data

- ▶ Permissible load F_{max} : 2200 N
- ▶ Lifting velocity: 25 mm/s
- ▶ Operating time (OT): 20%
- ▶ Connection: 230 V~/max. 16 A
- ▶ Protection class: IP40 IEC 529



Max. permitted load bearing surface	$b_{max} \times L_{max}$
Attachment plate B = 450 mm	400 mm x 600 mm
Attachment plate B = 650 mm	600 mm x 400 mm

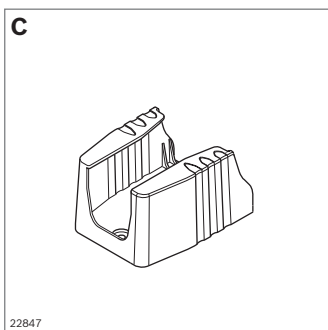
		h (mm)	H (mm)	No.
A	Electric case lifter	EU/NA	500	890 3 842 546 991
			900	1290 3 842 546 992



Basic hand switch (B)

- ▶ Push button for manual lifting and lowering
- ▶ With emergency switch
- ▶ Can be replaced with Comfort hand switch (D)

	No.
B Basic hand switch	3 842 546 998

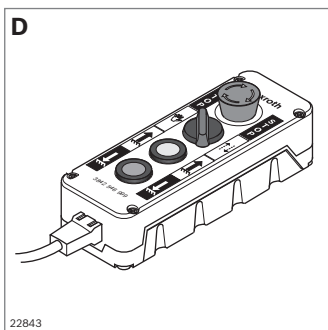


Holder for hand switch (C)

- ▶ To stow Basic and Comfort hand switches

Scope of delivery: includes fastening kit for 10 mm slot

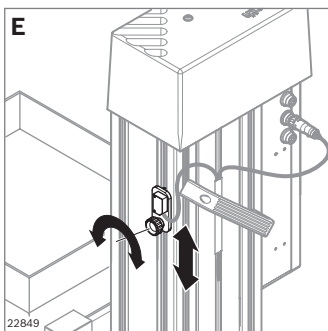
	No.
C Holder for hand switch	3 842 548 038



Comfort hand switch (D)

- ▶ For selection of “Manual” or “Automatic” mode
- ▶ Push button for manual lifting and lowering in “Manual” mode
- ▶ With emergency switch

	No.
D Comfort hand switch	3 842 546 999

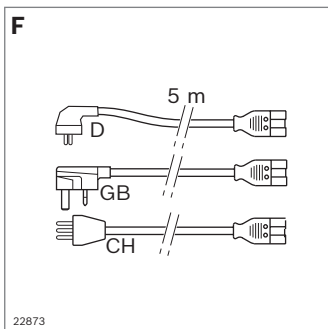


Comfort sensor unit (E)

- ▶ Works with the Comfort hand switch to control lifting and lowering in automatic mode

Scope of delivery: includes fastening kit for 10 mm slot

	ESD	No.
E Comfort sensor unit		3 842 547 200



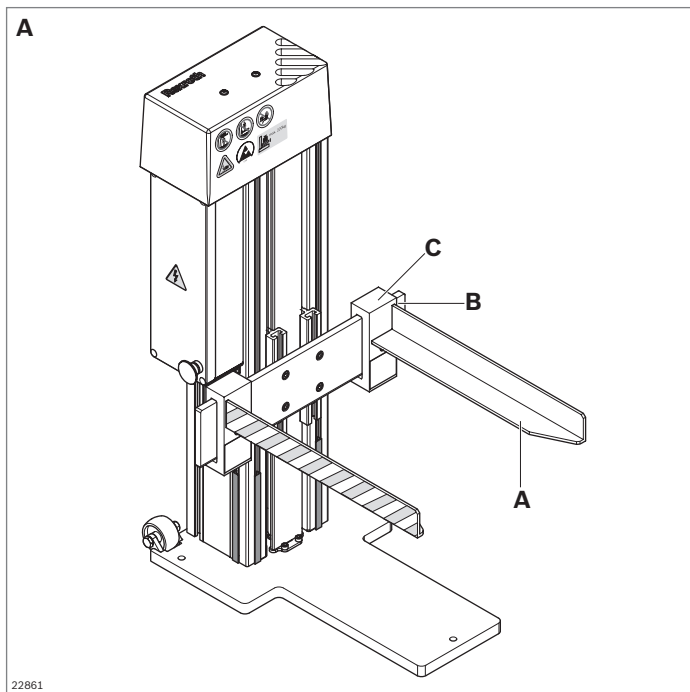
Mains cable (F)

- ▶ Ready-to-use; for easy and reliable plug-and-play start-up without electrician

	Country	L (m)	No.
F Mains cable	D/F ¹⁾	5	3 842 517 045
	GB ¹⁾	5	3 842 522 585
	CH ¹⁾	5	3 842 523 910

¹⁾ Test marks of VDI, ENEC

Case lifter accessories



22861

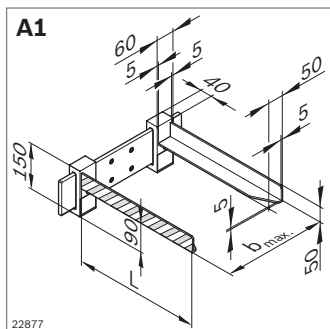
Forks (A)

- For support of containers (A1) or floor rollers (A2)

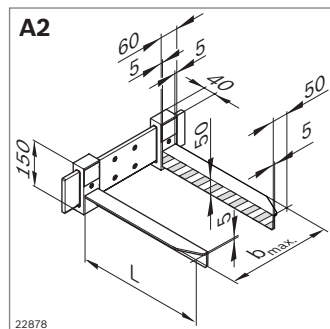
Material: steel; painted black, with yellow safety mark on the side

Scope of delivery: kit with two forks (left and right), incl. fastening material

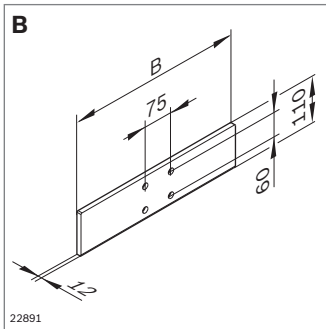
	L (mm)	ESD	No.
A Forks	400		3 842 549 435
	600		3 842 549 442



22877



22878



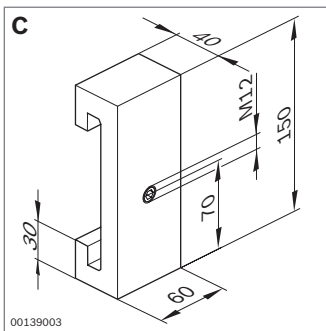
Attachment plate (B)

- ▶ For attaching forks or suspension straps
- ▶ Suitable for all case lifters

Material: steel; galvanized

Scope of delivery: includes fastening material (for case lifter)

	B (mm)	b _{max} (mm)	ESD	No.
B Attachment plate	450	400		3 842 549 427
	650	600		3 842 549 428



Suspension strap (C)

- ▶ Suitable for attachment plate B
- ▶ For attaching individual supports

Material: steel; preserved

Scope of delivery: includes fastening material

	Set	ESD	No.
C Suspension strap	2		3 842 549 449