

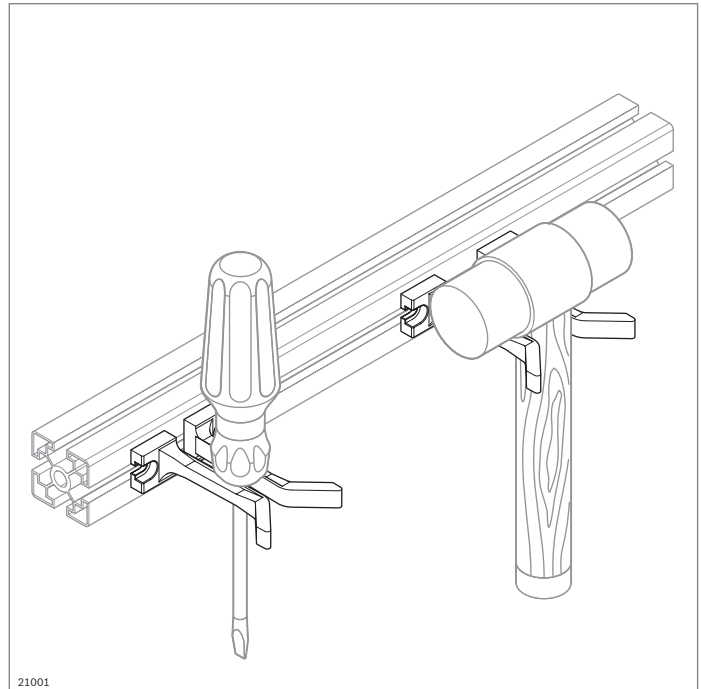
Tool holder L105



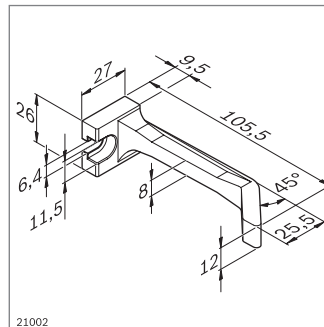
- ▶ For ergonomic and handy positioning of tools at the workstation
- ▶ Universal use possible, e.g. for screwdrivers, pliers, or hammers
- ▶ Mounting in 8 mm and 10 mm slots
- ▶ Time savings of 10% to 20% based on MTM, achievable with
 - Defined place for fast retrieval
 - 45° docking aids and tactile feedback for easy depositing

Material: PA 6, black



Scope of delivery: includes fastening material for fastening in 8 mm or 10 mm slots



21001



21002

	 ESD	No.
Tool holder L105	10 	3 842 544 768