

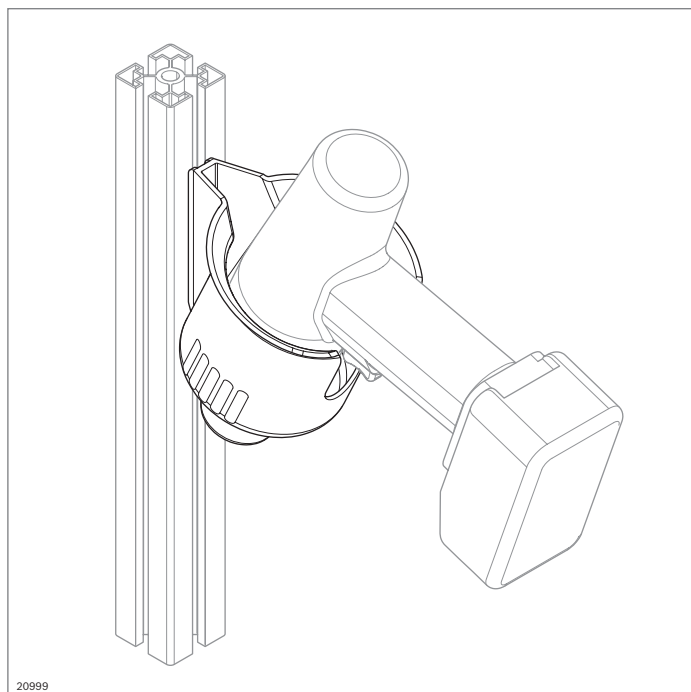
### Tool holder D95



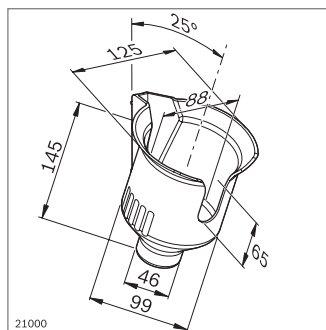
- ▶ Quiver-type tool holder for nutrunners up to 2 kg (the use of a spring pull is recommended for heavier nutrunners, 31)
- ▶ Time savings of 10% to 20% based on MTM, achievable with
  - Defined place for fast retrieval
  - 45° docking aids for easy depositing
- ▶ Tool holder open at bottom to hold nutrunners with long inserts. Dirt does not collect in the quiver.
- ▶ Notched housing for secure stowage, prevents unintentional actuation of the nutrunner
- ▶ Centering lugs for easy fastening in vertical 10 mm slot

Material: PA 6, black

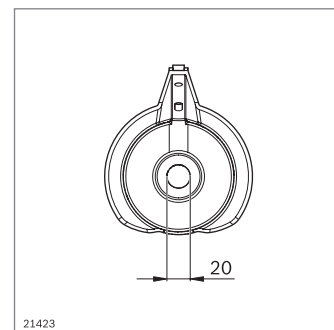
Scope of delivery: includes fastening material for fastening in 10 mm slots



20999



21000



21423

<b>ESD No.</b>	
Tool holder D95	<b>3 842 544 772</b>