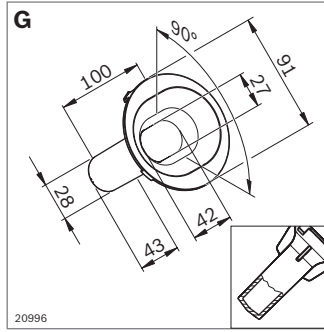
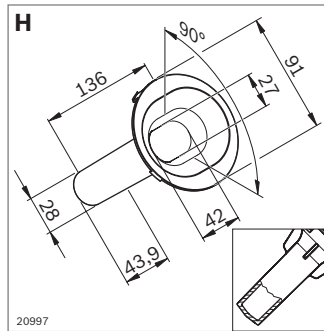


	ESD	No.
G Bucket-tray D91-oval53-L100 (closed base)		3 842 546 744



		Approx. 4 ... 5.5
		PH1, PH2
		Approx. 5 ... 10
		10 ... 19
		10 ... 19

	ESD	No.
H Bucket-tray D91-oval53-L136 (closed base)		3 842 546 745



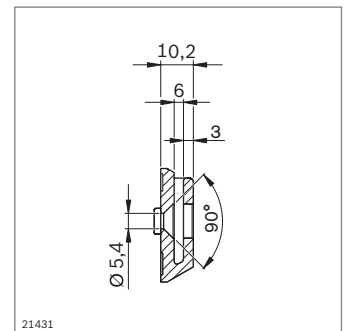
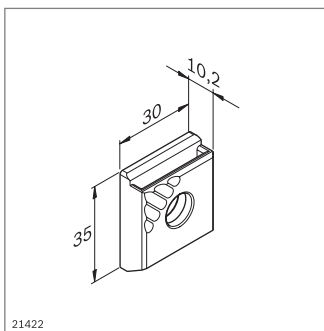
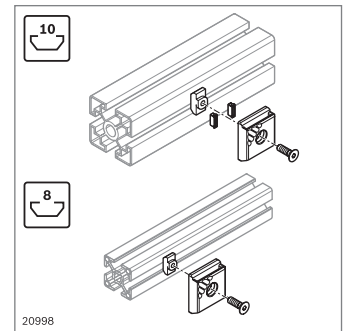
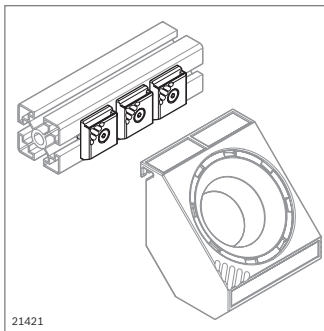
		Approx. 4 ... 5.5
		PH1, PH2
		Approx. 5 ... 10
		10 ... 19
		10 ... 19

Container mount

- ▶ Container mount to hang tool holders, grab containers, grab trays, and grab ledges
- ▶ Suitable for 8 mm and 10 mm slots

Material: PA 66, black

Scope of delivery: includes fastening material for fastening in 8 mm and 10 mm slots



	ESD	No.
Container mount		3 842 544 797