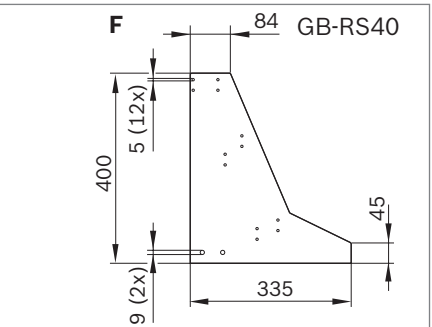
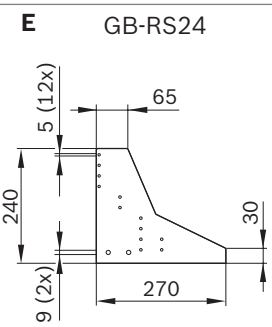
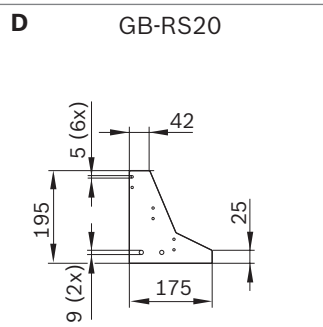
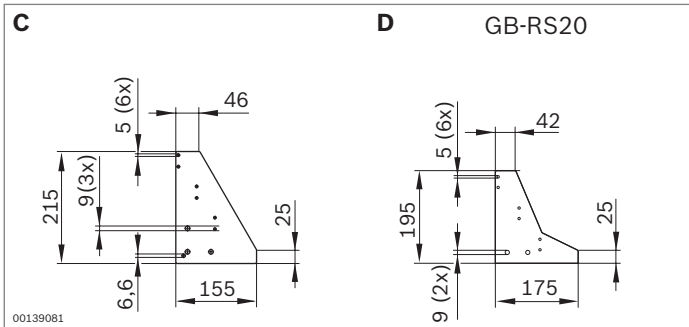
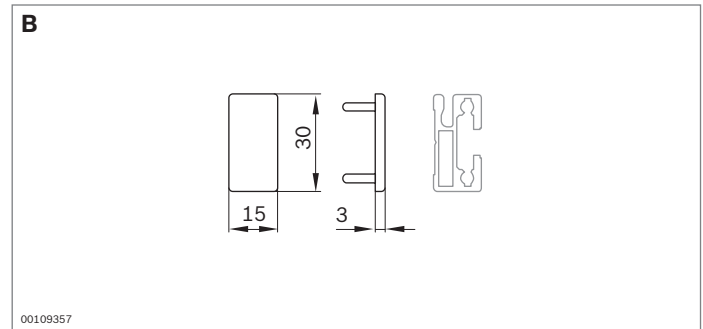
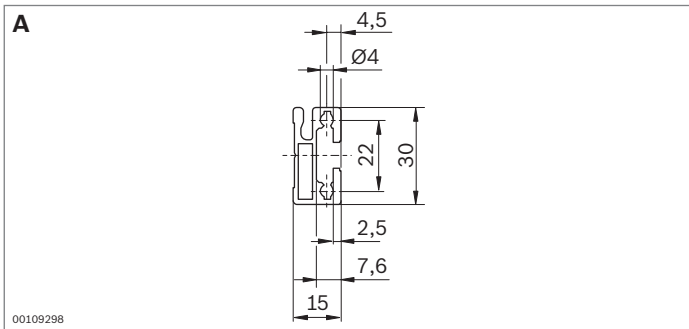
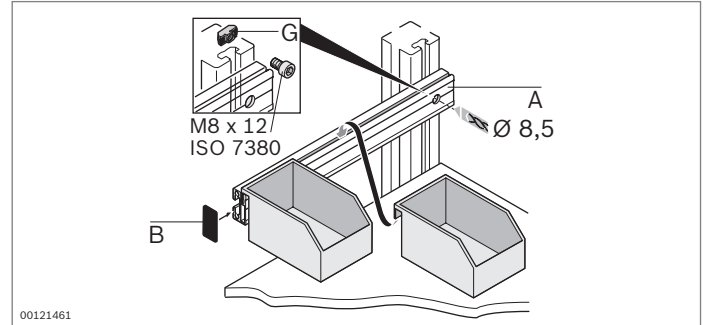
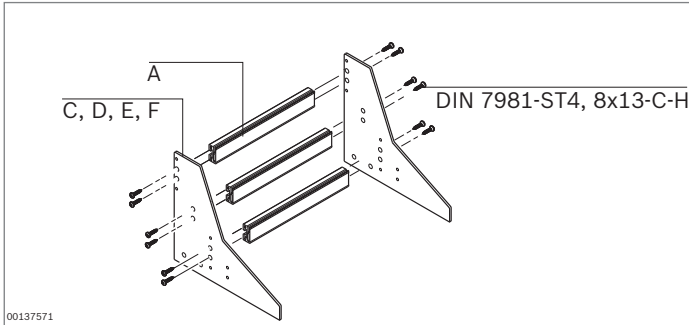


Grab container assembly element
Tool shelf assembly element
Suspension profile



	L (mm)	LE	ESD	No.
A Suspension profile; material: aluminum, anodized	30-3000	1		3 842 993 411/L
	3000	10		3 842 537 679
Suspension profile; material: aluminum, chromated	30-3000	1	⚠	3 842 993 359/L
	3000	10	⚠	3 842 537 681
B Cap, suspension profile			20	⚠ 3 842 338 990
C Side plate for tool shelf (2 each); material: sheet aluminum			Set	⚠ 3 842 514 639
D Side plate for grab container shelf GB-RS20 (2 each); material: sheet aluminum			Set	⚠ 3 842 517 399
E Side plate for grab container shelf GB-RS24 (2 each); material: sheet aluminum			Set	⚠ 3 842 517 400
F Side plate for grab container shelf GB-RS40 (2 each); material: sheet aluminum			Set	⚠ 3 842 517 401
G T-nut, 10 mm groove, M8			100	3 842 530 287

Suspension profile 15x30

3 842 993 411/L (📄 145, 168)

3 842 537 679 (📄 142, 145, 168)

3 842 993 359/L (📄 142, 145, 168)

3 842 537 681 (📄 142, 145, 168)

