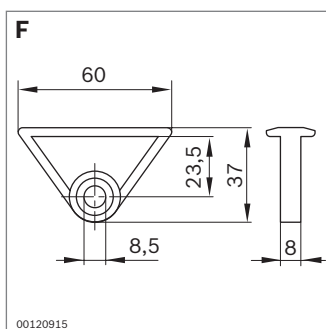
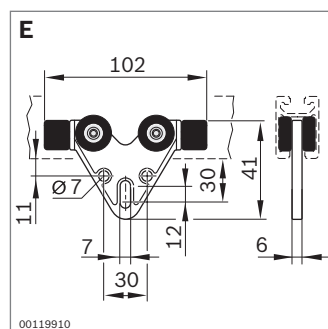
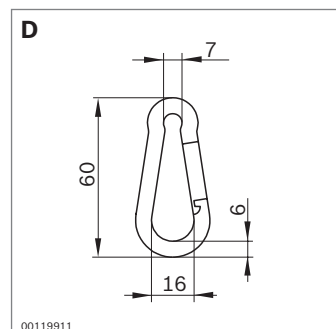
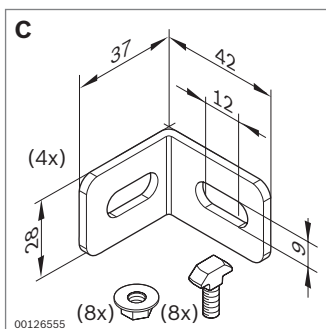
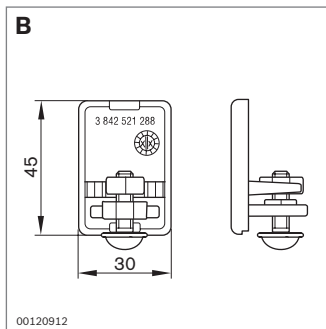
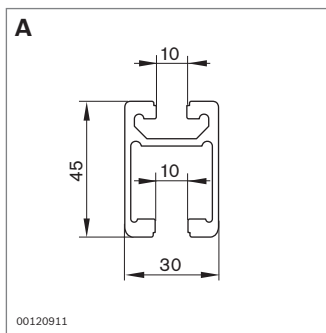
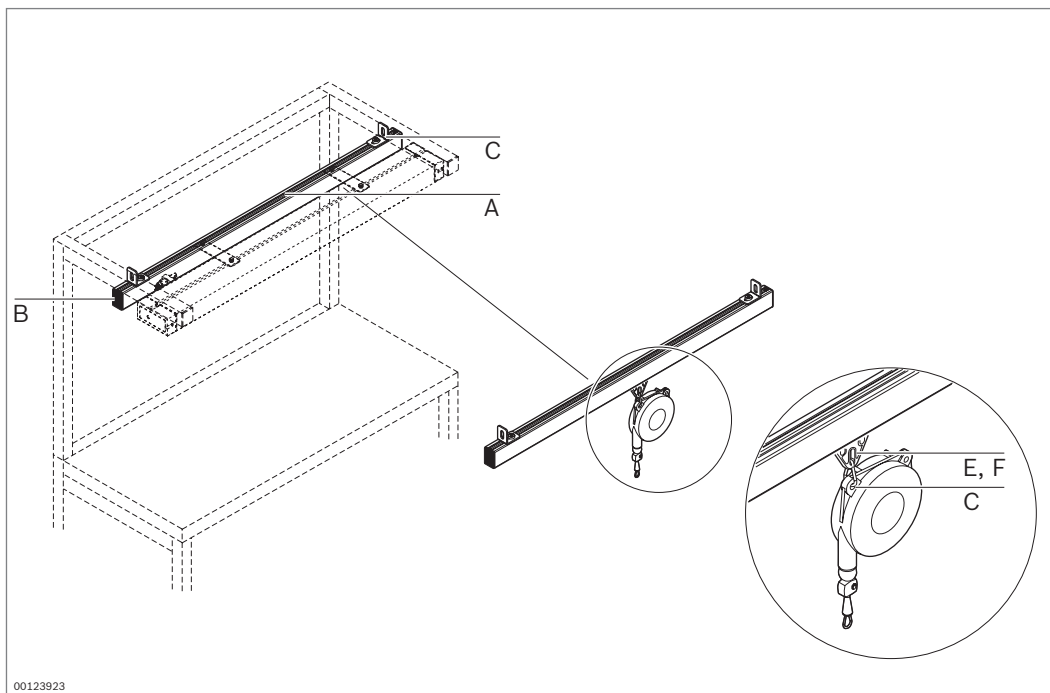



Hanger assembly elements

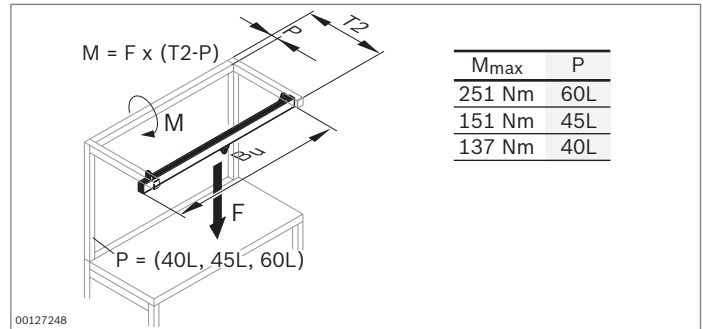


	L (mm)	LE		No.
A Profile rail 30x45C; material: aluminum, anodized	30–6000	1		3 842 992 946/L
	5600	20		3 842 523 598
B End piece 30x45C			20	3 842 521 513
C Bracket set M8, with fastening parts, 10 mm groove; material: steel, galvanized			Set	3 842 537 861
D Snap hook; material: steel, galvanized				0 842 901 309
E Slider for profile rail 30x45C				3 842 521 510
F Suspended slider for profile with 10 mm groove; material: POM				3 842 218 953

Workstation hanger

Without accessory upright, with accessory upright,
with reinforced strut extension

(📄 141)



Example for determining F_{max}

Determination of load for the strut extension:

P = 45 mm

T2 = 400 mm

Dia. 1 → F = 380 N

Determination of load for hanger:

B_u = 1000 mm

Dia. 2 → F = 580 N

The maximum permissible load F_{max} is the smaller of the two load values. F_{max} = 380 N

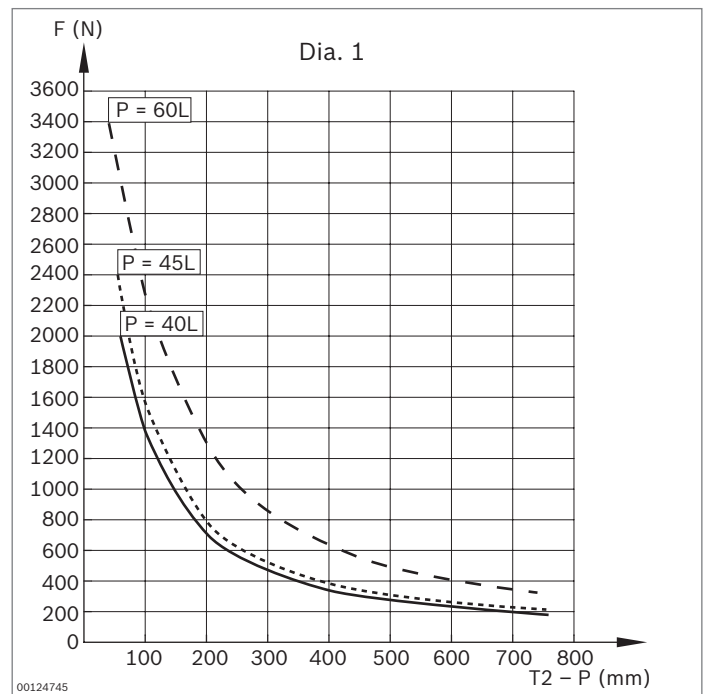


Diagram 1: Determination of load for the strut extension

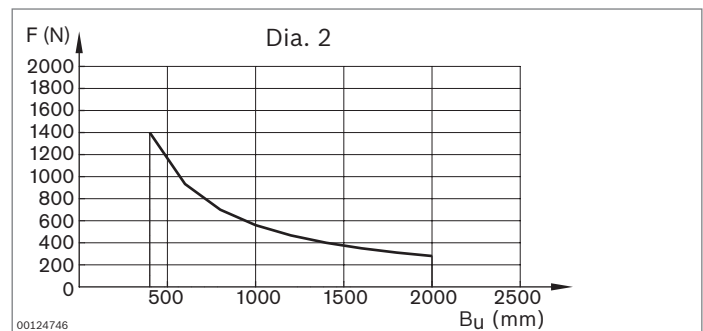


Diagram 2: Determination of load for hanger