



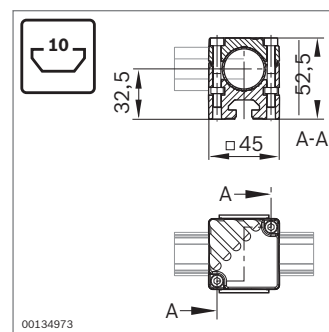
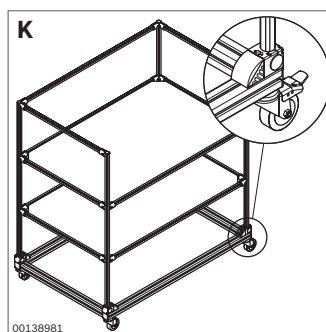
N10, 45 adapter (K)

- For connecting round tube D28L with a profile having a 10 mm groove.

Material: diecast aluminum

Scope of delivery: includes mounting material (screw, ISO 4762, M5 x 40; tightening torque 5.0 Nm)

		ESD No.
N10, 45 adapter	20 	3 842 541 187





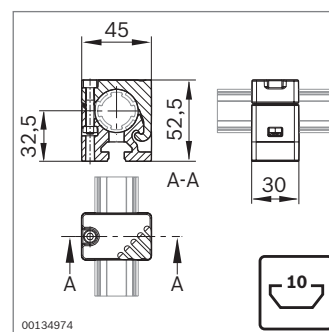
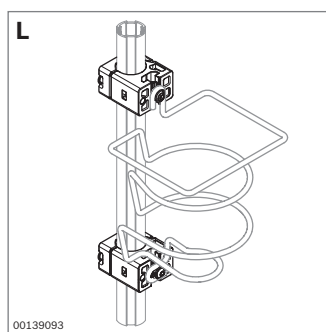
Adapter N10, 30 (L)

- For mounting light accessories such as a bottle holder to round tube D28L

Material: diecast zinc

Scope of delivery: includes mounting material (screw, ISO 4762, M5 x 30; tightening torque 5.0 Nm)



		ESD No.
N10, 30 adapter	20 	3 842 541 190

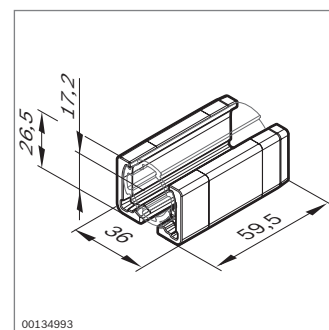
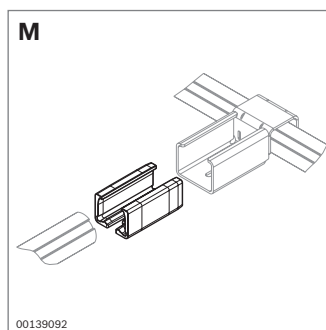


Adapter XLean (M)

- For combinations with XLean. The XLean adapter connects round tube D28L with the XLean rail holder (76, 77).



Material: PA 66; black

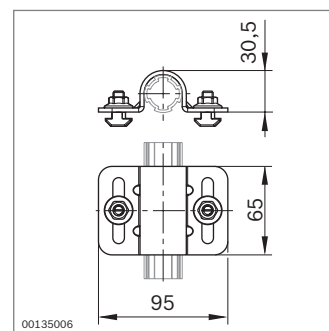
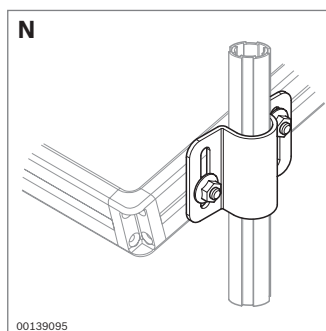
		ESD No.
D Adapter XLean	20 	3 842 541 296



Tube clip D28L/N10 (N)


- For mounting material shelves to round tube D28L. The elongated hole allows you to position material shelves at inclines of up to 30 degrees.

		ESD No.
Tube clip D28L/N10	20 	3 842 541 193



EcoShape



- ▶ All connectors can be combined with the EcoShape round tubes D28L, D28, N10 and D28 (see "Flow rack systems" chapter,  66).
- ▶ Integrated poka-yoke system for easy and secure connector installation
 - Twist locks for secure joints
 - Positive interlocking connections

- ▶ All connectors are suitable for use in building ESD-conductive systems.

Material: diecast zinc

Scope of delivery: includes mounting material

