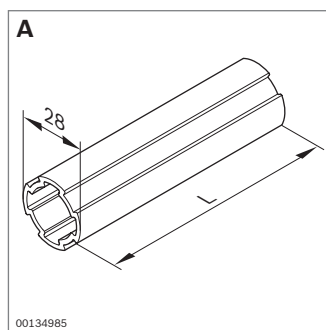


**Round tube D28L (A)**

- ▶ 4 interfaces for attaching EcoShape connectors

Material: aluminum

	L (mm)	LE No.	
<b>A</b> Round tube	50-5600	1	<b>3 842 996 191 /L</b>
D28L	5600	50	<b>3 842 541 211</b>



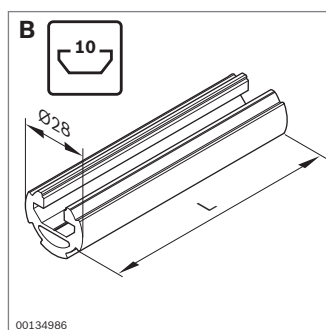
A	=	1.8 cm <sup>2</sup>
I <sub>x</sub>	=	1.33 cm <sup>4</sup>
I <sub>y</sub>	=	1.33 cm <sup>4</sup>
W <sub>x</sub>	=	0.95 cm <sup>3</sup>
W <sub>y</sub>	=	0.95 cm <sup>3</sup>
m	=	0.48 kg/m

**Round tube D28L, N10 (B)**

- ▶ 3 interfaces for attaching EcoShape connectors
- ▶ A 10 mm groove for mounting accessories such as lamps or information boards, plus ability to combine with the modular aluminum framing system

Material: aluminum

	L (mm)	LE No.	
<b>B</b> Round tube	50-5600	1	<b>3 842 996 192 /L</b>
D28L, N10	5600	20	<b>3 842 541 213</b>



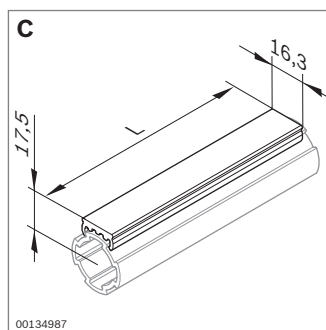
A	=	2.63 cm <sup>2</sup>
I <sub>x</sub>	=	1.17 cm <sup>4</sup>
I <sub>y</sub>	=	1.97 cm <sup>4</sup>
W <sub>x</sub>	=	0.84 cm <sup>3</sup>
W <sub>y</sub>	=	1.41 cm <sup>3</sup>
m	=	0.71 kg/m

**Slide rail (C)**

- ▶ For creating a simple conveyor track or manual slide section by clipping slide rail onto round tube D28L

Material: PVC; gray

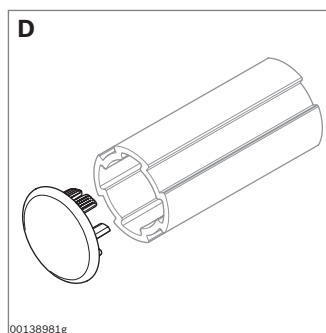
	L (mm)	LE No.	
<b>C</b> Slide rail	2000	10	<b>3 842 541 196/L</b>



**Cap (D)**

Material: PA 66; black

	ESD No.	
<b>D</b> Cap	20	<b>3 842 541 195</b>

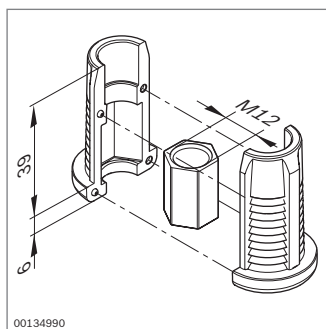
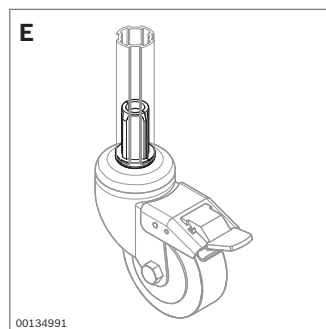


**Threaded sleeve (E)**

- ▶ For integrating a leveling foot or casters


Material: PA 66; black

	ESD No.	
<b>E</b> Threaded sleeve D28L	20	<b>3 842 541 185</b>



## EcoShape

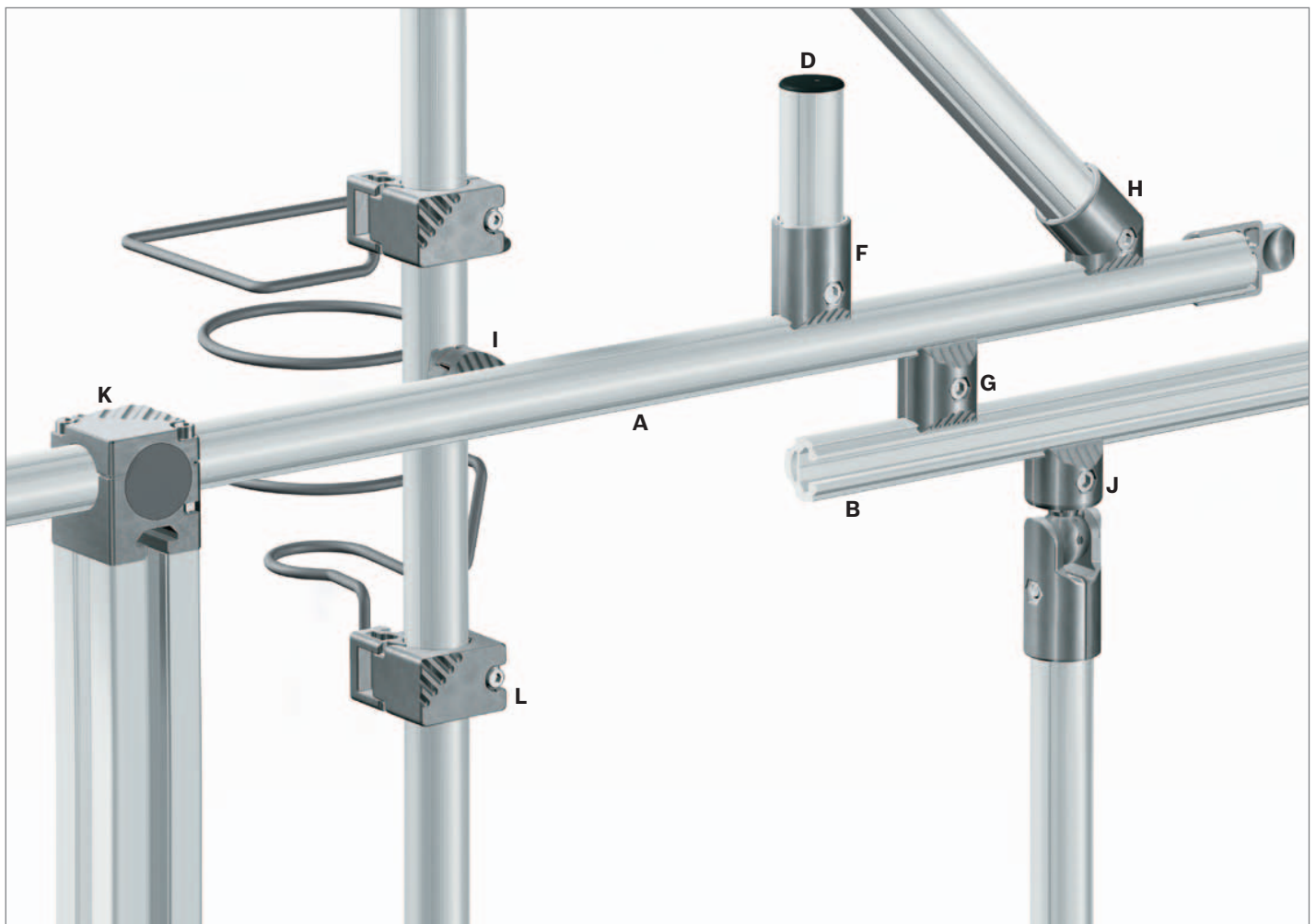


- ▶ All connectors can be combined with the EcoShape round tubes D28L, D28, N10 and D28 (see "Flow rack systems" chapter,  66).
- ▶ Integrated poka-yoke system for easy and secure connector installation
  - Twist locks for secure joints
  - Positive interlocking connections

- ▶ All connectors are suitable for use in building ESD-conductive systems.

Material: diecast zinc

Scope of delivery: includes mounting material

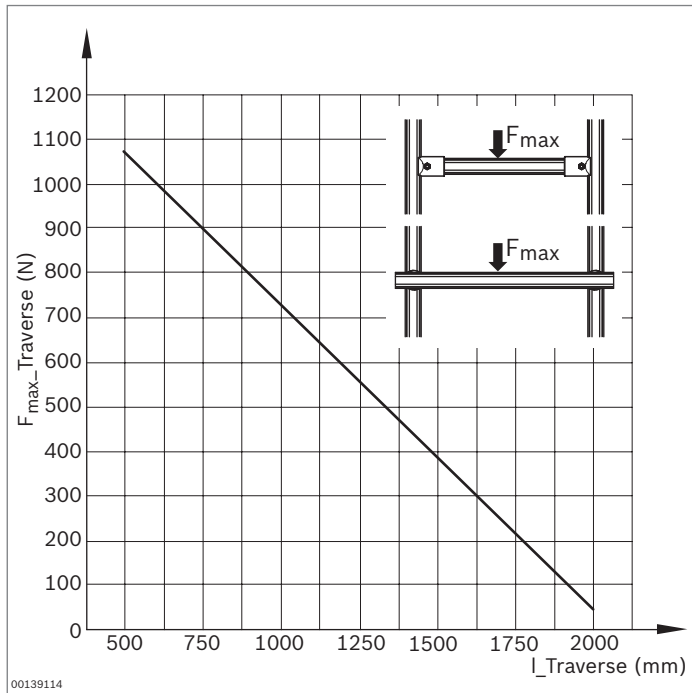


# EcoShape

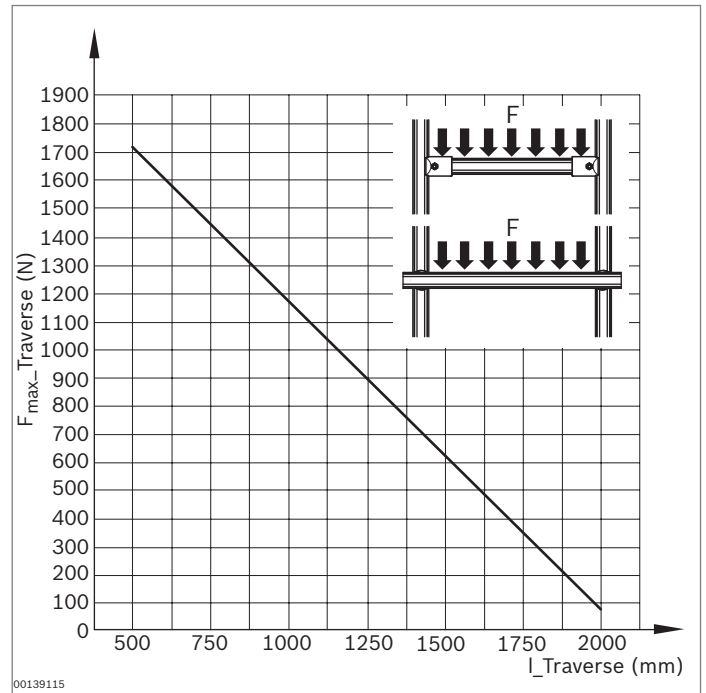
## Permissible load for cross ties made using EcoShape profile D28L

Diagrams apply if 90° connectors and cross connectors are used

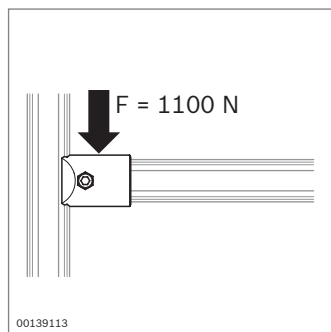
Point load, centered



Distributed load



Connectors – permissible load values for clamping connections



Threaded sleeve – permissible bearing load

