

Grab containers



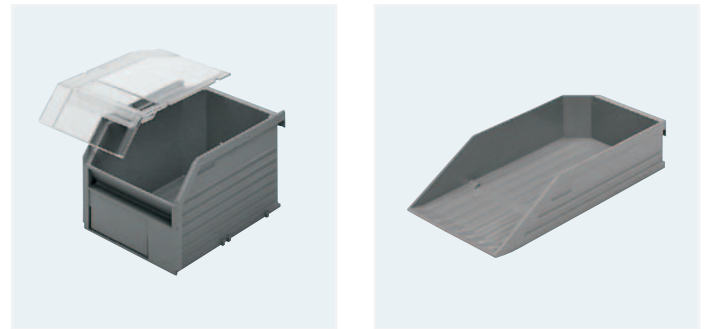
- ▶ Positioning of small parts on the workstation or in the material shuttle
- ▶ Ergonomically designed surface for easy and secure grabbing
- ▶ Can be combined with grab ledge and cover

Standard material: ABS; light gray similar to RAL 7035
 ESD material: ABS; black

Cover

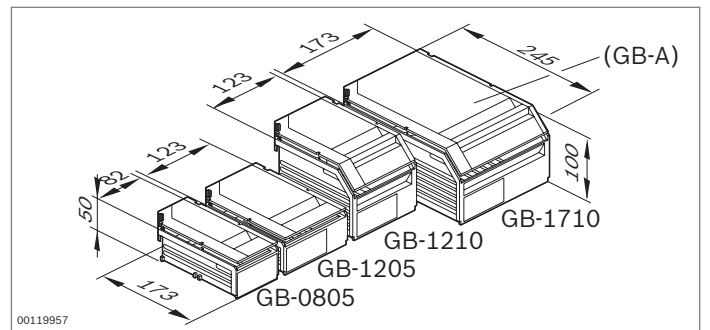
- ▶ Protects parts in storage, during transport and at the workstation

Standard material: PC; transparent
 ESD material: ABS; black



00121491

00120996



00119957

	ESD	No.
Grab container GB-805		3 842 344 750
		3 842 346 280
Grab container GB-1205		3 842 344 751
		3 842 346 281
Grab container GB-1210		3 842 344 752
		3 842 346 282
Grab container GB-1710		3 842 344 753
		3 842 346 283

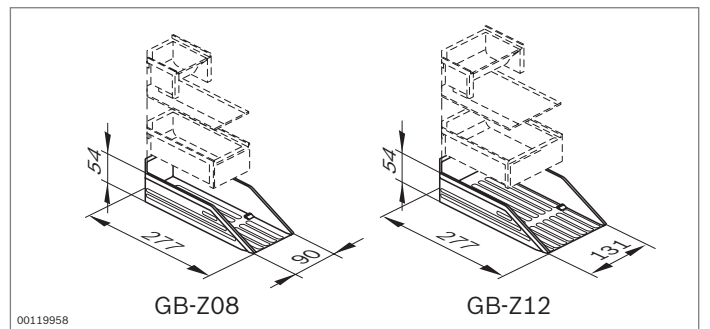
	ESD	No.
Cover GB-A0805		3 842 344 756
		3 842 346 286
Cover GB-A1205		3 842 344 757
		3 842 346 287
Cover GB-A1210		3 842 344 758
		3 842 346 288
Cover GB-A1710		3 842 344 759
		3 842 346 289

Grab ledges



- ▶ Separation of mixed parts on ergonomically designed grab surface
- ▶ Ridged surface for easy and secure grabbing
- ▶ Time savings of up to 10%

Standard material: ABS; light gray similar to RAL 7035
 ESD material: ABS; black

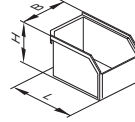


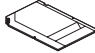














00119958

	ESD	No.
Grab ledge GB-Z08		3 842 344 760
		3 842 346 290
Grab ledge GB-Z12		3 842 344 761
		3 842 346 291

Grab containers

(📄 54, 📄 55, 📄 56)



					Static load limit				
					Con- tainer mount	Suspension profile			
					(kg)	(kg)			
					ESD	No.			
					B x H x L (mm)	(cm ³)			
Cover GB-Axxxx Material: PC Surface resistivity: $10^{15} \Omega/\text{sq}$ Specific volume resistance: $10^{16} \Omega/\text{cm}$ Min./max. ambient temperature: $-40^\circ\text{C} / +115^\circ\text{C}$ Resistant to diluted acidic and caustic materials, alcohol (except for methanol), grease, oils, glycol, water ESD version Material: ABS-GF7 Surface resistivity: $10^4 \Omega/\text{sq} - 10^6 \Omega/\text{sq}$ Specific volume resistance: $10^4 \Omega/\text{cm} - 10^6 \Omega/\text{cm}$ Min./max. ambient temperature: $-40^\circ\text{C} / +70^\circ\text{C}$ Resistant to diluted acidic and caustic materials, alcohol (except for methanol), grease, oils, glycol, water		GB-A0805	77 x 13 x 173	-	3 842 344 756	-	-		
							3 842 346 286	-	-
		GB-A1205	117 x 13 x 173	-	3 842 344 757	-	-		
							3 842 346 287	-	-
		GB-A1210	117 x 32 x 173	-	3 842 344 758	-	-		
							3 842 346 288	-	-
		GB-A1710	167 x 32 x 245	-	3 842 344 759	-	-		
							3 842 346 289	-	-
		Grab tray GB-Sxx Grab container GB-xxxx Grab ledge G-Zxx Material: ABS Surface resistivity: $10^{14} \Omega/\text{sq}$ Specific volume resistance: $10^{14} \Omega/\text{cm}$ Min./max. ambient temperature: $-40^\circ\text{C} / +70^\circ\text{C}$ Resistant to weak acidic and caustic materials, alcohol, grease, oils, water ESD version Material: ABS-CF Surface resistivity: $10^4 \Omega/\text{sq} - 10^6 \Omega/\text{sq}$ Specific volume resistance: $10^4 \Omega/\text{cm} - 10^6 \Omega/\text{cm}$ Min./max. ambient temperature: $-40^\circ\text{C} / +70^\circ\text{C}$ Resistant to weak acidic and caustic materials, alcohol, grease, oils, water		GB-S08	82 x 50 x 86	150	3 842 344 764	11	17
									3 842 346 294
GB-S12	123 x 50 x 86			240	3 842 344 765	11	19		
							3 842 346 295	6	11
GB-S17	173 x 50 x 86			360	3 842 344 766	11	21		
							3 842 346 296	6	12
GB-0805	82 x 50 x 173			370	3 842 344 750	10	26		
							3 842 346 280	6	15
GB-1205	123 x 50 x 173			600	3 842 344 751	10	26		
							3 842 346 281	6	15
GB-1210	123 x 100 x 173			1370	3 842 344 752	10	26		
							3 842 346 282	6	15
GB-1710	173 x 100 x 245			3050	3 842 344 753	13	30		
					3 842 346 283	8	18		
GB-Z08	90 x 54 x 277	690	3 842 344 760	10	30				
					3 842 346 290	6	18		
GB-Z12	131 x 54 x 277	1050	3 842 344 761	6	23				
					3 842 346 291	3	13		