

Components for ESD applications



Set of grounding components (A)

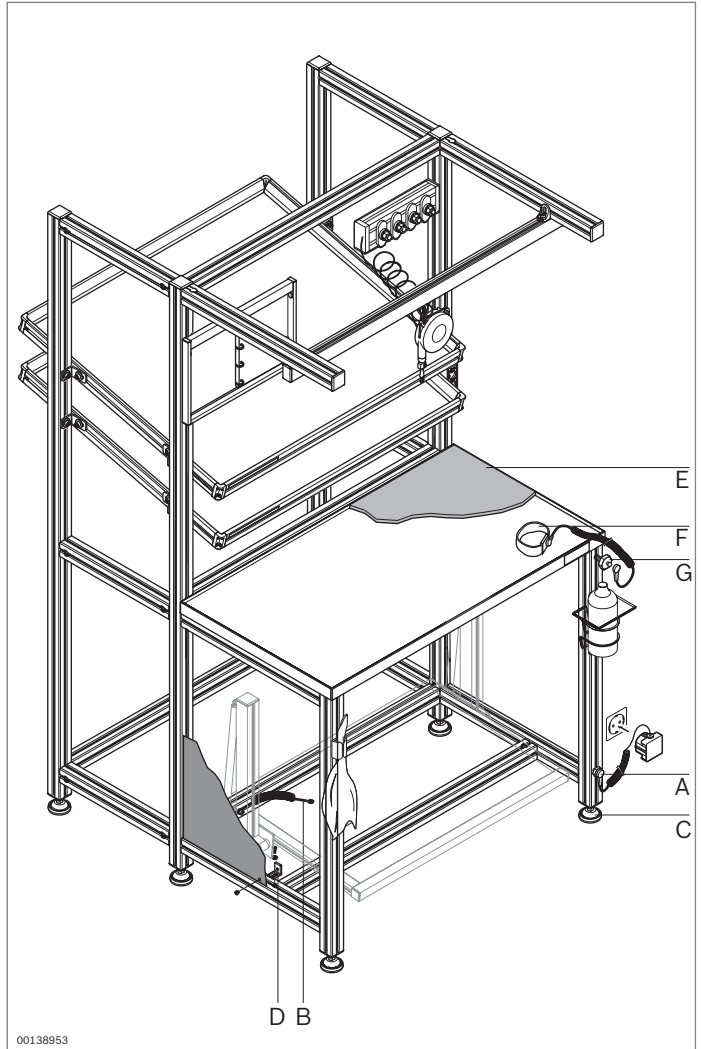
- ▶ For defined grounding of ESD workstations
- ▶ Conduction resistance $R_A = 1 \times 10^6 \Omega$ (DIN EN 61 340-5-1)

Scope of delivery: includes fastening kit (10 mm groove)

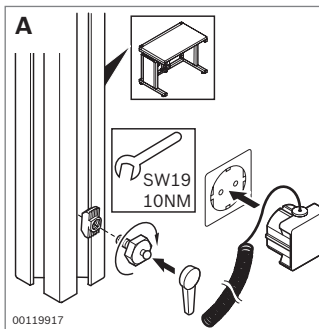
Grounding cable (B)

- ▶ To create defined conductive paths between strut profiles to protect ESD-sensitive components

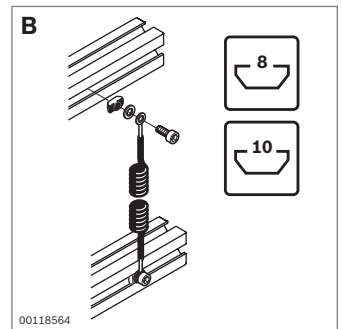
Scope of delivery: includes fastening kit (10 mm groove)



00138953



00119917



00118564

	ESD No.
A Set of grounding components	3 842 522 087
B Grounding cable	3 842 519 465
C Damping ring, insulating	20 3 842 521 817
D Potentialfix	3 842 536 320
E ESD mat insert (1220 mm x 855 mm)	3 842 522 012
F Wrist band	3 842 516 908
G Connection piece	10 3 842 516 905
T-nut, 10 mm groove, M6	100 3 842 530 285

Damping ring (C)

- ▶ Insulates frames against conductive floors, protects floors and prevents vibrations from being transmitted.

Material: PUR, resistant to oils and organic solvents

Color: natural

Shore hardness A: 70-80

Potentialfix (D)

- ▶ For defined grounding of surface elements such as side panels

Conductive mat insert (E)

- ▶ To protect ESD-sensitive components
- ▶ To create a safe conductive connection to e.g. ESD material shelves, we recommend using adhesive copper tape
- ▶ Conduction resistance
 $R_A = 1 \times 10^6 - 1 \times 10^9 \Omega$ according to DIN EN 61 340-5-1

Material: rubber

Thickness: 2 mm

Wrist band (F)

- ▶ Wrist band (F) with connection piece (G) for defined grounding of people and protection of ESD-sensitive components

Required accessories: T-nuts, 10 mm groove, M6

