


Cabinets

- ▶ Mounted to table frame with frame depth of T1 = 595 mm
- ▶ Installation on left or right side
- ▶ Lockable door
- ▶ Pull-out tool tray

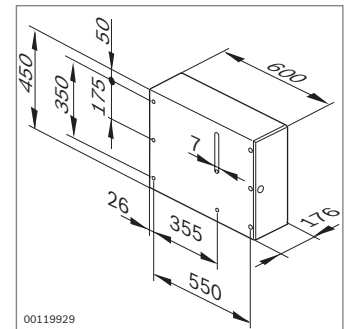
Material: sheet steel, light gray, RAL 7035

Scope of delivery: includes key

Required accessories:

M6 T-nuts (3 842 530 285),  50;

M6x14 DIN 912 screws; DIN 125 washers



	No.
Cabinet, left-side installation	3 842 028 621
Cabinet, right-side installation	3 842 028 620