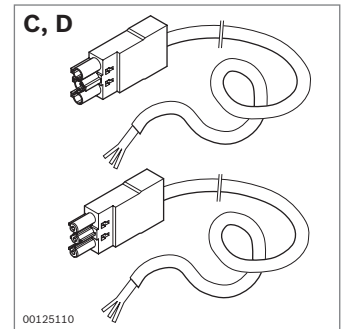
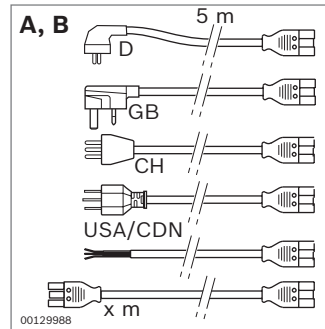


Mains cable (A)

- ▶ For connecting system lamps, socket strips or power strips
- ▶ Ready-to-use mains cable: available in various country versions; for simple, reliable plug-and-play installation with no special knowledge required
- ▶ Mains cable with one open end: for self assembly; accessories: GST plug, GST socket

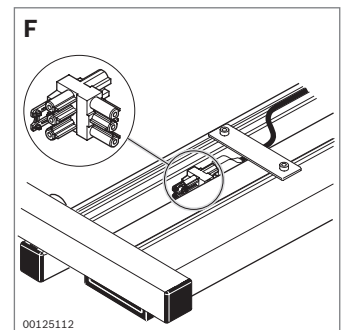
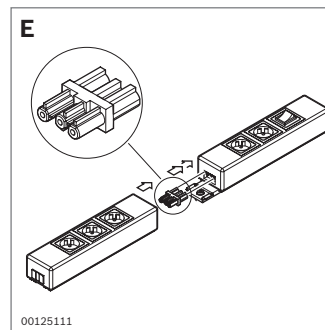
Color: black



Connection cable (B)

- ▶ For cable connections between system lamps, socket strips or power strips
- ▶ Ready-made in various country versions and lengths
- ▶ For simple, reliable plug-and-play installation with no special knowledge required

Color: black



GST plug, GST socket (C, D)

- ▶ For cable self-assembly

Color: black

	Country	L (m)		No.
A Mains cable	D/F ¹⁾	5		3 842 517 045
	GB ¹⁾	5		3 842 522 585
	CH ¹⁾	5		3 842 523 910
	USA/CDN ²⁾	5		3 842 537 323
	Open end ¹⁾	5		3 842 517 201
B Connection cable	EU ¹⁾	4		3 842 537 598
		3		3 842 527 207
		2		3 842 517 047
		1.5		3 842 537 123
		1		3 842 517 049
		0.5		3 842 517 051
	USA/CDN ²⁾	4		3 842 537 599
		3		3 842 537 558
		2		3 842 537 560
		1.5		3 842 537 562
		1		3 842 537 564
		0.5		3 842 537 566
		C GST plug		
D GST socket			10	3 842 517 044
E Connecting plug			10	3 842 517 055
F T-plug			10	3 842 532 909

¹⁾ Test marks of VDI, ENEC; ²⁾ Test marks of UL, CSA, FCC