

System lamps



Electronic

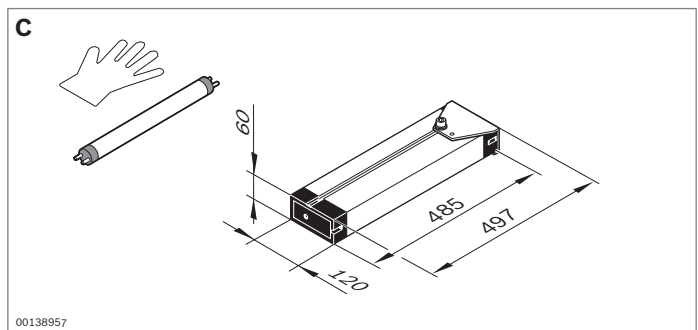
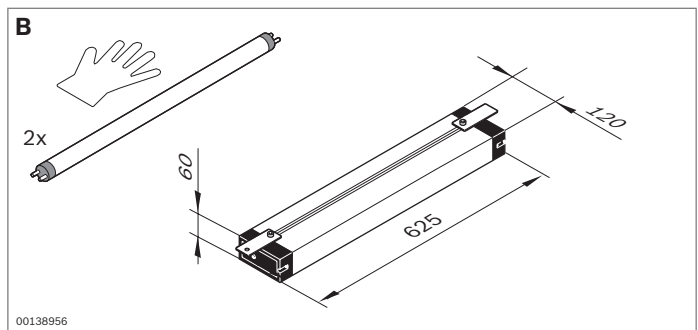
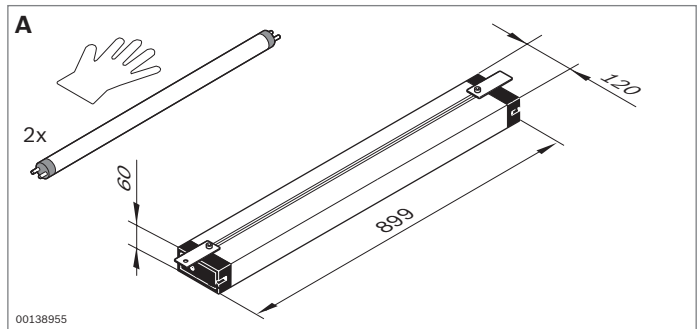
- ▶ Glare-free light of the highest quality (quality class A according to DIN 5035-T2)
- ▶ With electronic lamp ballast for flicker-free light (> 25 kHz)
- ▶ With three GST outlet sockets for looping through the electrical current
- ▶ Very inexpensive to operate (low power consumption, long life)
- ▶ Low weight
- ▶ Suitable for use at ESD workstations
- ▶ SL 78 electronic: Attached to a strut extension (workstations with B = 990 mm) or to a hanger (workstations with B ≠ 990 mm)
- ▶ SL 48 electronic: Attached to a hanger
- ▶ SL 36 electronic: Attached to the vertical strut of the strut extension

Protection class: IP 20 (IEC 529)

Housing material: aluminum, anodized

Scope of delivery: includes fluorescent tubes and insulating attachment kit (10 mm groove)

Required accessories: Mains cable or connection cable as applicable (🔌📄 39)



		Fluorescent tubes	Service life (h)	Voltage	Weight (kg)	No.
A SL 78 electronic	EU ¹⁾	2x T5-L 39 W	12000	220-240 V/ 50 Hz; 60 Hz	2.8	3 842 537 343
	USA/CDN ²⁾	2x T5-L 39 W	12000	120-277 V/ 50 Hz; 60 Hz	2.8	3 842 537 345
B SL 48 electronic	EU ¹⁾	2x T5-L 24 W	12000	220-240 V/ 50 Hz; 60 Hz	2.3	3 842 537 347
	USA/CDN ²⁾	2x T5-L 24 W	12000	120-277 V/ 50 Hz; 60 Hz	2.3	3 842 537 349
C SL 36 electronic	EU ¹⁾	1x TC-L 36 W	12000	220-240 V/ 50 Hz; 60 Hz	1.6	3 842 516 713
	USA/CDN ²⁾	1x TC-L 36 W	12000	120-277 V/ 50 Hz; 60 Hz	1.6	3 842 537 351

¹⁾ Test marks of VDI, ENEC; ²⁾ Test marks of UL, CSA, FCC

SL 36, SL72

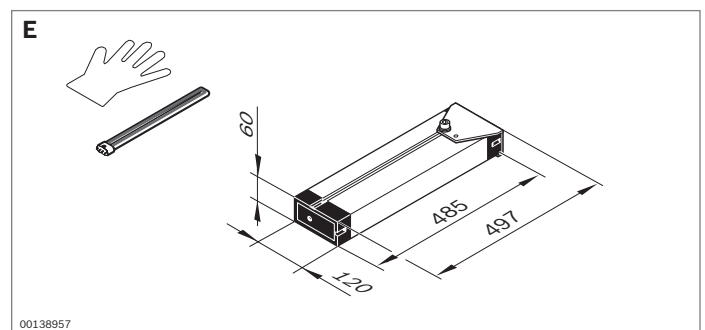
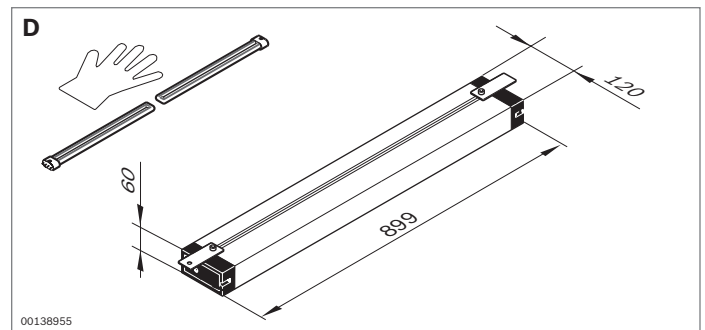
- ▶ Glare-free light of the highest quality (quality class A according to DIN 5035-T2)
- ▶ With low-loss lamp ballast and starter
- ▶ With one (SL 36) or three (SL 72) GST outlet sockets for looping through the electrical current
- ▶ Suitable for use at ESD workstations
- ▶ SL 72: Attached to a strut extension (workstations with B = 990 mm) or to a hanger (workstations with B ≠ 990 mm)
- ▶ SL 36: Attached to the vertical strut of the strut extension

Protection class: IP 20 (IEC 529)

Housing material: aluminum, anodized

Scope of delivery: includes fluorescent tubes and insulating attachment kit (10 mm groove)

Required accessories: Mains cable or connection cable as applicable (☞ 39)

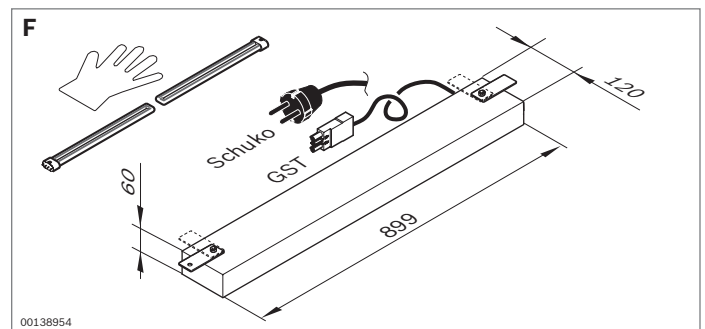
**Economic**

- ▶ Glare-free light of the highest quality (quality class A according to DIN 5035-T2)
- ▶ Very inexpensive
- ▶ Suitable for use at ESD workstations
- ▶ With mains cable (4 m) with grounded or GST plug
- ▶ Attached to a strut extension (workstations with B = 990 mm) or to a hanger (workstations with B ≠ 990 mm)

Protection class: IP 20 (IEC 529)

Housing material: sheet steel, painted, dusty gray, RAL 7037

Scope of delivery: includes fluorescent tubes and insulating attachment kit (10 mm groove)



		Fluorescent tubes	Service life (h)	Voltage	Weight (kg)	No.
D	SL 72	EU ¹⁾ 2x TC-L 36 W	8000	230 V/50 Hz	4.1	3 842 514 653
E	SL 36	EU ¹⁾ 1x TC-L 36 W	8000	230 V/50 Hz	2.2	3 842 516 712
F	SL 72 economic, grounded	EU ¹⁾ 2x TC-L 36 W	8000	230 V/50 Hz	4.3	3 842 540 924
		USA/CDN ²⁾ 2x TC-L 36 W	8000	120-277 V/50 Hz; 60 Hz	4,3	3 842 540 033
F	SL 72 economic, GST	EU ¹⁾ 2x TC-L 36 W	8000	230 V/50 Hz	4.3	3 842 540 925
		USA/CDN ²⁾ 2x TC-L 36 W	8000	120-277 V/50 Hz; 60 Hz	4,3	3 842 540 034

¹⁾ Test marks of VDI, ENEC; ²⁾ Test marks of UL, CSA, FCC


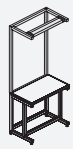
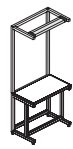
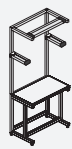
Workstation lighting

The right light, adapted to the activity at the workstation, is a basic prerequisite for high efficiency and processing quality. Optimum lighting prevents fatigue, improves concentration, and reduces the risk of errors. In addition to climate, noise, mechanical vibrations, and hazardous substances, lighting is another environmental factor that must be taken into consideration.

Important aspects for planning workstation lighting include:

- ▶ Avoid strong contrasts
- ▶ Avoid glare and reflection

DIN EN 12 464 and the table below contain the required mid-range lighting strengths.

The right Rexroth system lamp for every task					
Calculation examples for work top lighting					
Rexroth SL 78 (nominal luminance intensity) 681 lux (lamp-to-table distance = 1.25 m) + Ambient lighting 300 lux = work top luminance intensity of 800 lux					
					
Tasks	Required luminance intensity (lux)	Rexroth SL 36 Duo	Rexroth SL 72 / economic	Rexroth SL 78	Rexroth SL 78 + SL 36 Duo
Rough and average machine and assembly tasks such as turning, milling, and planing	300	■ ¹⁾	■ ¹⁾		
Fine machine tasks with permissible deviations	500	■ ¹⁾	■ ¹⁾	■ ¹⁾	
Fine assembly tasks, e.g. telephones, winding medium-sized coils, marking, inspection, and measuring stations	750	■■■■ ¹⁾	■■■■ ¹⁾	■ ¹⁾	■ ¹⁾
Very fine assembly, e.g. measuring instruments, assembly of tools, gauges, and equipment, precision mechanics and micromechanics	1000			■■■■ ¹⁾	■ ¹⁾
Assembly, inspection, and adjustment of extremely small parts	1500				■■■■ ¹⁾

¹⁾ Distance between the table top and light: 1.25 m

■ Lamp luminance intensity sufficient for task

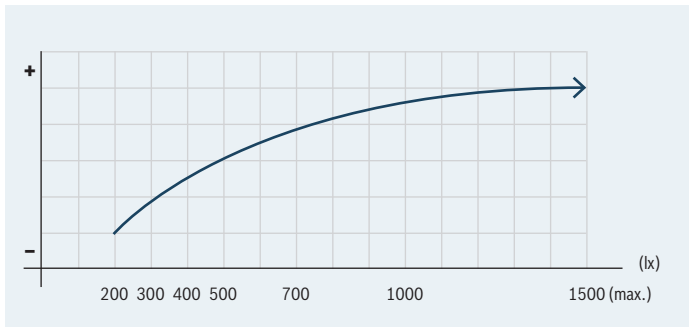
■■■■ Lamp luminance intensity + ambient light (300 lux) sufficient for task

Good vision at the workstation increases performance and reduces the error rate.

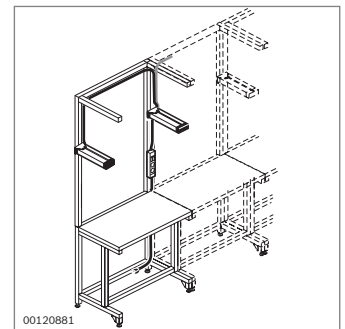
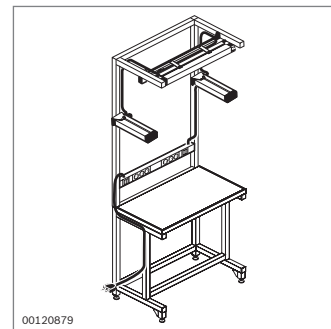
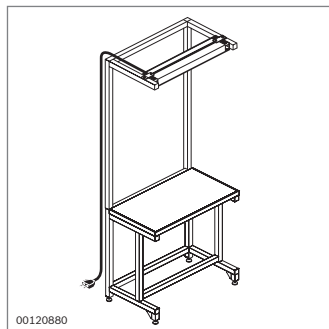
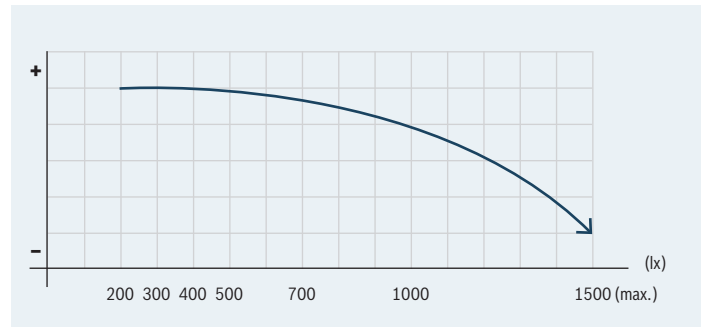
Rexroth's system lamp range provides glare and flicker-free light of the highest quality (quality class A according to DIN 5035-T2). You can operate the lamps as required for the job at hand either individually or in combination with one another. This allows you to provide your workstations with uniform illumination of outstanding quality.

The lamps can be switched on and off when plugged into a socket with power switch. The lamps can also be connected in series using the connection cables (☞ 39). The ready-to-use connection and mains cables allow you to install the lamps yourself without needing an electrician. The lamps come with insulating fastening kits and so are suitable for use on ESD workstations.

Increased efficiency with Rexroth system lamps



Reduction of errors with Rexroth system lamps



System lamp SL

Luminance intensity depending on arrangement

	SL 36	SL 36		SL 36	SL 48	SL 72	SL 78	SL Tri-Light		
a	\bar{E}	α	\bar{E}	\bar{E}	\bar{E}	\bar{E}	\bar{E}	x	α	\bar{E}
(m)	(lx)	(°)	(lx)	(lx)	(lx)	(lx)	(lx)	(m)	(°)	(lx)
0.75	599				887					
1.00	394	20	642	589	584	750	958	0.25	20	1158
								0.50	20	1020
1.25	272	15	470	471	398	523	681	0.25	15	845
1.50	196	15	353	385	281	380	501			
2.00						223	283			

Mean value \bar{E} of the luminance intensity on the working surface (new values, planning factor 0.8)