

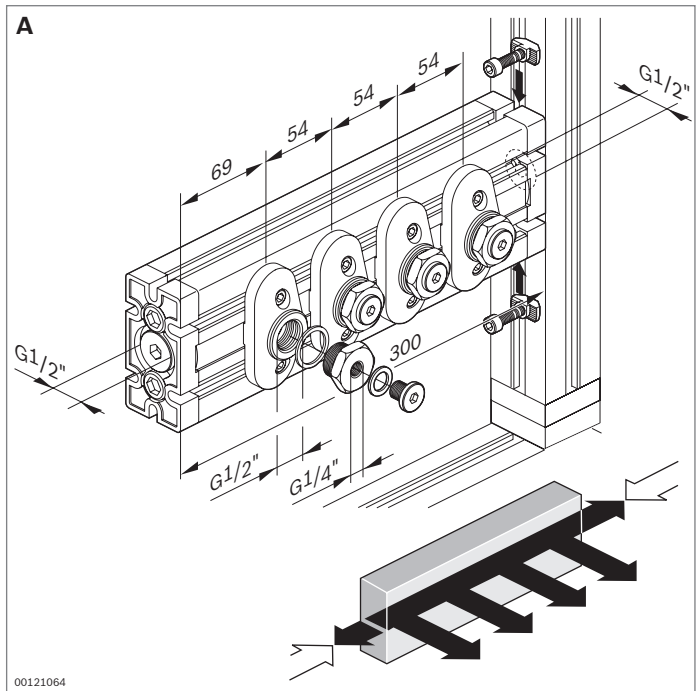
## Air bar (A)



- ▶ Distributor and connection point for compressed air for up to 4 tools
- ▶ Up to max. 8 bar
- ▶ Compressed-air connection for feed line: G1/2"
- ▶ Compressed-air connection for discharge: G1/2" or G1/4" (reducing adapters)

Material of seals: NBR

Scope of delivery: includes fastening elements for 10 mm groove



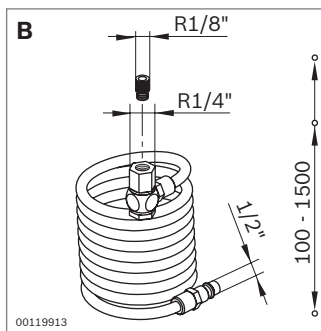
00121064

	No.
Air bar	3 842 352 088

## Spiral hose (B)

- ▶ For connecting tools to the air bar

Condition on delivery: With adapter G1/2" and elbow fitting



00119913

	No.
Spiral hose	0 842 901 312