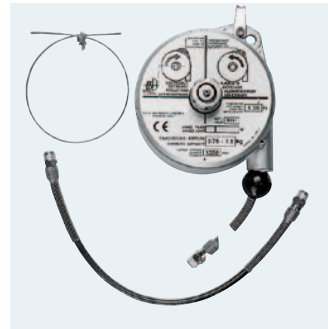


Spring pulls

Spring pull (A, B)

- ▶ Ergonomic positioning of tools, e.g. screwdrivers, to reduce uneven and high strain on workers
- ▶ Bearing load and cable length are adjustable
- ▶ Assembly on workstation with hanger and slider or suspended slider

Scope of delivery: includes safety wire

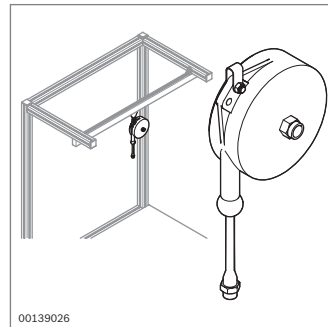


00120990

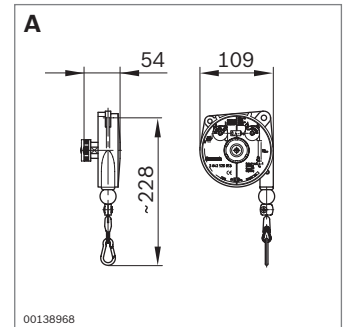
Spring pull with retractable cable (C)

- ▶ Ergonomic positioning of air-powered tools, e.g. pneumatic screwdrivers, to reduce uneven and high strain on workers
- ▶ Compressed air supplied via air bar
- ▶ Compressed-air connection for feed line and tool connection: G1/4"
- ▶ Bearing load and cable length are adjustable
- ▶ Assembly on workstation with hanger and slider or suspended slider

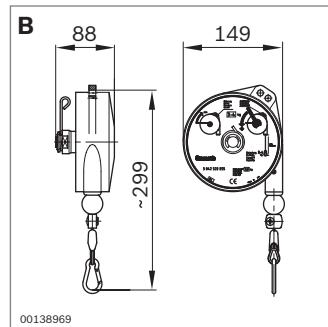
Scope of delivery: includes safety wire, connection hose G1/4"



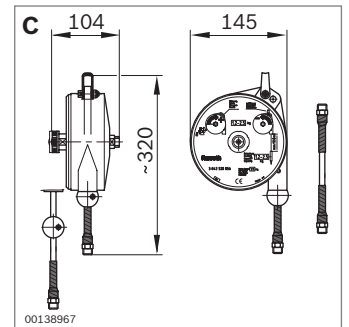
00139026



00138968



00138969



00138967

	Bearing load (kg)	System weight (kg)	Retractable cable (mm)	No.
A Spring pull	0.4–1.0	0.6	1600	3 842 520 053
	1.0–2.0	0.6	1600	3 842 520 054
B Spring pull	2.0–4.0	2.0	2000	3 842 520 055
C Spring pull with retractable cable	1.2–2.5	1.4	1350	3 842 520 056