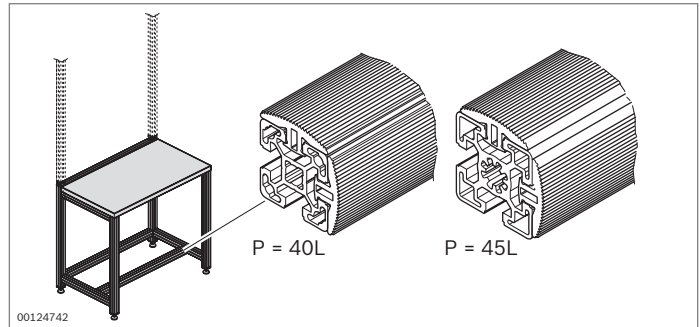


Rubber profile



- ▶ To avoid impact on hard edges, such as when setting down impact-sensitive products
- ▶ For use as footrest: Clip in from top and front on the cross strut of the workstation
- ▶ Very simple and inexpensive
- ▶ Suitable for the construction of ESD workstations

Material: EPDM; conduction resistance
 RA = $1 \times 10^3 - 1 \times 10^9 \Omega$



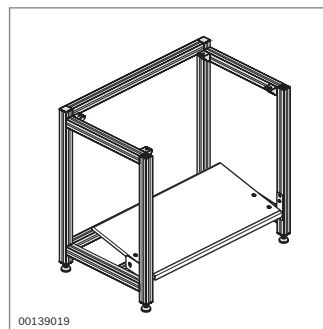
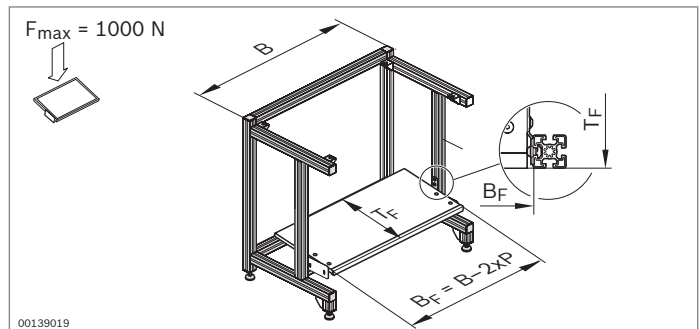
	L (mm)	ESD	No.
Rubber profile	2000	10	3 842 537 135
	30-2000		3 842 994 979/L

Footrest Economic



- ▶ For low-fatigue sitting at the workstation
- ▶ Attached to table frame
- ▶ Oil resistant
- ▶ Aluminum U-profile on front edge to prevent premature wear of the footrest edge
- ▶ Suitable for the construction of ESD workstations

Material: chipboard, hard-coated; conduction resistance
 RA = $1 \times 10^6 \Omega$ (DIN EN 61 340-5-1)
 Scope of delivery: includes fastening kit (10 mm groove)
 Scope of delivery ESD: includes fastening kit and ground cable (10 mm groove) (50)



Footrest Economic		3 842 998 256
ESD	Conductivity	Yes, no
B _F	Footrest width	400-1020 mm
T _F	Footrest depth	300-600 mm

	B _F (mm)	T _F (mm)	ESD	No.
Footrest Economic; assembled	900	400		3 842 538 771
	900	400		3 842 538 772

Footrests

Maximum load of configurable footrests as well as standard footrests

3 842 998 256 (🔗 📄 28)

3 842 538 771 (🔗 📄 28)

3 842 538 772 (🔗 📄 28)

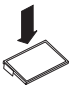
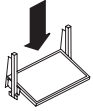
3 842 998 257 (🔗 📄 29)

3 842 519 735 (🔗 📄 29)

3 842 538 409 (🔗 📄 29)

3 842 515 160 (🔗 📄 29)

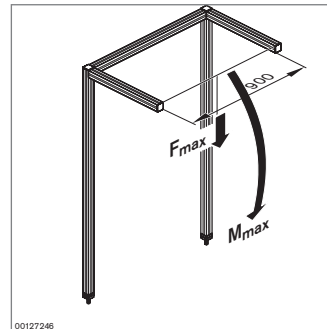
3 842 538 098 (🔗 📄 29)

	Economic	Basic
		
F_{\max} (N)	1000	1000

Workstation accessories

Standard strut extensions P = 45x45L

3 842 519 530 (🔗 📄 24)



F_{\max} (N) 250

M_{\max} (Nm) 150

00127246