
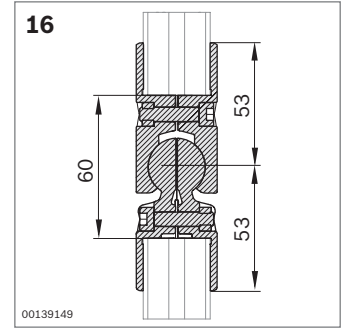
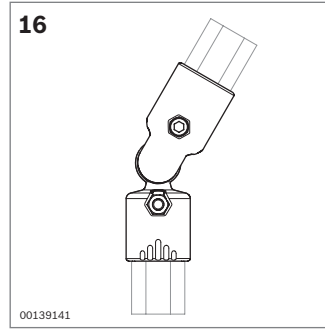


0°-90° D28 connector (16)

Material: diecast zinc
 Scope of delivery: includes mounting material (screw, ISO 4762, M6 x 25; tightening torque 8.7 Nm)

**NEW
2011**

		No.
16 0°-90° D28 connector	20	3 842 543 480





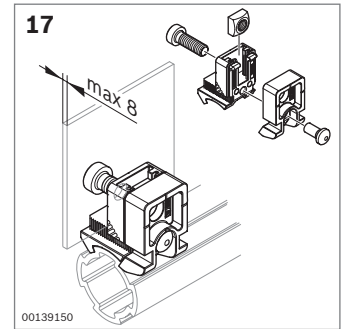
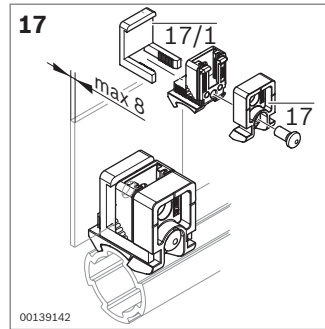
Polymer Variofix block (17)

► For fastening surface elements with a snap-in clip or screw

Material: PA66
 Scope of delivery: Incl. mounting material (M5x10 oval-head screw; ISO 4762 screw, M6x16; M6 square nut)

**NEW
2011**

		ESD	No.
17 Polymer Variofix block	20		3 842 543 311
17/1 Snap-in clip	10		3 842 184 738





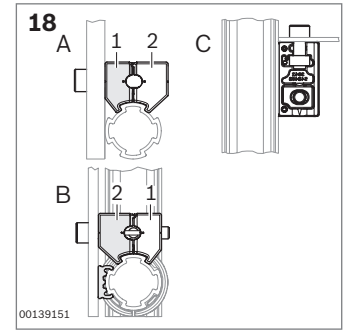
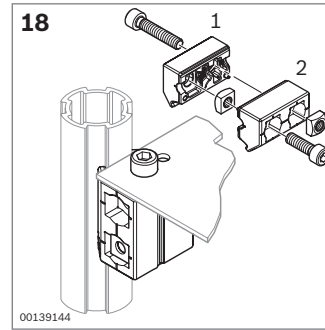
Diecast zinc Variofix block (18)

► For fastening surface elements
 ► Three arrangements possible ("A", "B", "C")

Material: diecast zinc
 Scope of delivery: Incl. mounting material (ISO 4762 screw, M6x22; ISO M6x30 screw; 2x M6 square nut; tightening torque 8.7 Nm)

**NEW
2011**


		ESD	No.
18 Diecast zinc Variofix block	20		3 842 543 494



Bumper for D28L round tube (19)

Material: PE-LD

**NEW
2011**

	L (mm)		No.
19 Bumper for D28 round tube	2000	10	3 842 544 637

