

Slide hanger
Spring hook



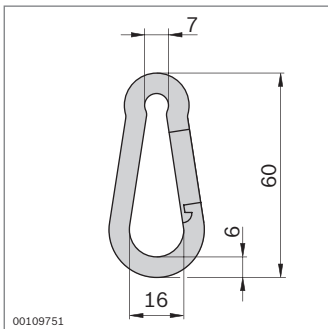
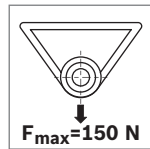
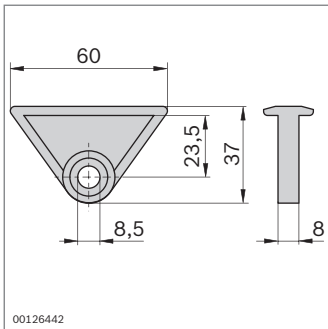
Slide hanger

- ▶ Slide hanger as an economical solution for sliding tool hangers
- ▶ Maximum load: 150 N
- ▶ Guide in 10 mm profile slot
- ▶ Sliding block can be used as a stopper

Accessories: sliding block as a stopper (p. 3-7)

Spring hook

- ▶ Spring hook for fastening tools to the slide hanger:
 - Quick, easy replacement



Slide hanger	No.
	3 842 218 953

Material: POM, natural

Spring hook	No.
	0 842 901 309

Material: Steel, galvanized